

User Manual

CESAR™
Generator
Model 136

service@dressler.com

dressler

User Manual

CESAR™ Generator Model 136

CESAR 136 (E)



COPYRIGHT

This manual and the information contained herein is the proprietary property of Dressler® HF-Technik GmbH.

No part of this manual may be reproduced or copied without the express written permission of Dressler® HF-Technik GmbH. Any unauthorized use of this manual or its contents is strictly prohibited. Copyright © 2003 Dressler® HF-Technik GmbH. All Rights Reserved.

DISCLAIMER AND LIMITATION OF LIABILITY

The information contained in this manual is subject to change by Dressler® HF-Technik GmbH without prior notice. Dressler® HF-Technik GmbH makes no warranty of any kind whatsoever, either expressed or implied, with respect to the information contained herein. Dressler® HF-Technik GmbH shall not be liable in damages, of whatever kind, as a result of the reliance on or use of the information contained herein.

PRODUCT USAGE STATEMENT




WARNING:

Read this entire manual and all other publications pertaining to the work to be performed before you install, operate, or maintain this equipment. Practice all plant and product safety instructions and precautions. Failure to follow instructions can cause personal injury and/or property damage. If the equipment is used in a manner not specified by the manufacturer, the protection provided by the equipment may be impaired. All personnel who work with or who are exposed to this equipment must take precautions to protect themselves against serious or possibly fatal bodily injury.

Dressler® HF-Technik GmbH provides information on its products and associated hazards, but it assumes no responsibility for the after-sale operation of the equipment or the safety practices of the owner or user. This equipment produces or uses potentially lethal high-voltage, high-current, radio frequency (RF) energy. NEVER DEFEAT INTERLOCKS OR GROUNDS.

TRADEMARKS

 is a registered trademark of Dressler® HF-Technik GmbH.

CESAR™ is a trademark of Dressler® HF-Technik GmbH.

Internet Explorer® is a registered trademark of the Microsoft Corporation.

Microsoft® is a registered trademark of the Microsoft Corporation.

Modbus® is a registered trademark of Gould, Inc.

Smith® The Smith® chart shown is produced under a copyright license from Analog Instruments Company, New Providence, New Jersey 07974.

Windows NT® is a registered trademark of the Microsoft Corporation.

Windows® is a registered trademark of the Microsoft Corporation.

CUSTOMER FEEDBACK

Dressler® HF-Technik GmbH's technical writing staff has carefully developed this manual using research-based document design principles. However, improvement is ongoing, and the writing staff welcomes and appreciates customer feedback. Please send any comments on the content, organization, or format of this user manual to:

- tech.writing@aei.com

To order a manual, please contact the Dressler Customer Service Department:

- service@dressler.com

Table of Contents

Chapter 1. Safety and Product Compliance Guidelines

Important Safety Information	1-1
Interpreting the Manual	1-1
This Revision of the Manual	1-1
Understanding Model 136 Options	1-2
Type Conventions	1-2
Danger, Warning, and Caution Boxes	1-3
Safety Guidelines	1-3
Rules for Safe Installation and Operation	1-3
Interpreting Product Labels	1-4
Product Compliance	1-5
Product Certification	1-5
Safety and Compliance Directives and Standards	1-5
Electromagnetic Compatibility (EMC) Directives and Standards	1-5
Safety Directives and Standards	1-6
Conditions of Use	1-6
Interlocks and Limits	1-7

Chapter 2. Product Overview and Theory

Description	2-1
Theory of Operation	2-2

Chapter 3. Specifications

Physical Specifications	3-1
Unit Dimensions	3-2
Physical Specifications Table	3-3
Electrical Specifications	3-4
Cooling Specifications	3-6
Environmental Specifications	3-6

Chapter 4. Communication Interfaces

Rear View Drawings	4-2
Diagnostic Interface	4-9
Matching Interface	4-9
CESAR Generator User Port Options	4-11
User Port—25-Pin User Port	4-11

User Port Connector	4-12
Satisfying Minimal 25-Pin User Port Requirements	4-12
25-Pin User Port Cabling Requirements	4-12
Activating the 25-pin User Port	4-13
25-Pin User Port Pin Descriptions	4-14
25-Pin User Port Electrical Characteristics	4-21
25-Pin User Port Wiring Diagrams	4-23
User Port—15-Pin User Port	4-29
Satisfying the Interlock	4-30
15-Pin User Port Cabling Requirements	4-32
15-Pin User Port Pin Descriptions	4-32
15-Pin User Port Wiring Diagrams	4-37
CESAR Generator Host Port Options	4-43
Host Port—RS-232 With AE Bus	4-44
RS-232 Connector and Pin Descriptions	4-45
RS-232 Transmission Parameters	4-45
AE Bus Protocol	4-46
Creating an Ideal Communications Transaction	4-49
Host Port—PROFIBUS	4-51
PROFIBUS Connector and Pin Descriptions	4-52
PROFIBUS Protocol	4-52
Host Port—Ethernet (Modbus/TCP)	4-57
Understanding Modbus/TCP Commands and Register Types	4-58
Host Port Commands	4-62
Activating Host Port Control	4-63
Host Port Command Status Response (CSR) Codes	4-63
Host Port Command Set	4-63

Chapter 5. Installation, Setup, and Operation

Preparing to Install the CESAR Generator	5-1
Spacing Requirements	5-1
Installation Requirements	5-2
Tools Required for Installation	5-2
Unpacking	5-3
Installing the CESAR Generator	5-3
Mounting the CESAR Generator	5-3
Grounding	5-4
Connecting RF Output Power	5-4
Connecting Communication Interfaces	5-5
Connecting the CESAR Generator to a System Interlock Loop	5-5
Satisfying the Interlock with a 25-pin User Port	5-5
Satisfying the Interlock with a 15-pin User Port	5-6
Connecting a Matchbox (Optional)	5-6
Connecting Common Exciter (CEX) Circuitry (Optional)	5-7
Connecting AC Input (Mains) Power	5-8
Connecting and Setting Ethernet (Modbus/TCP) Communication	5-9

Connecting for Ethernet Communication	5-9
Setting the IP Configuration for Ethernet Communication	5-9
First-Time Operation	5-10
Operating the CESAR Generator for the First Time With the User Port	5-11
Operating the CESAR Generator for the First Time With Host Port	5-13
Operating the CESAR Generator for the First Time Using the Front Panel	5-14
Normal Operation	5-15
Setting Regulation Mode	5-15
Determining the Regulation Mode Setting	5-15
Setting Forward Power Regulation Mode (P_{Forward})	5-16
Setting Load Power Regulation Mode (P_{real})	5-17
Setting External Power Regulation Mode (DC Bias)	5-18
Controlling the Matchbox	5-20
Determining the Current matchbox Tune Setting	5-20
Setting Manual Tune Control	5-21
Setting Automatic Tune Control	5-22
Operating the CESAR Generator Using the Front Panel	5-24
Understanding Basic Front Panel Control Elements	5-25
Using the Front Panel Program Menu	5-26
Accessing the Program Menu	5-27
Entering Values in the Program Menu	5-28
Front Panel Program Menu Tree	5-29
Regulation Mode Settings	5-30
Match Settings	5-31
Setting the Pulse Function	5-33
Recipe Settings	5-34
Setting Remote Control Override	5-37
Setting Target Lifetime PARAMETERS	5-38
Reflected Power Settings	5-39
Changing the Pulse Input Configuration Settings	5-39
Changing the Device Configuration Settings	5-40
Setting and Using Preset Generator Settings for Different Applications	5-42
Controlling a Variomatch Unit Attached to the Generator	5-43
Understanding Additional Operating Functions	5-44
Using the Pulsing Function	5-44
Creating Recipes	5-45
Using the Remote Control Override	5-47
Setting a Target Lifetime	5-47
Changing Reflected Power Settings	5-48
Connecting to an Ethernet-Enabled Unit With a Web Browser	5-49

Chapter 6. Troubleshooting and Customer Support

Before Contacting Customer Support	6-1
Checks With the Power Off	6-1
Checks With the Power On	6-1
Troubleshooting Guide	6-2

General Troubleshooting	6-2
Matching Network Troubleshooting	6-2
Interlock Not Satisfied	6-3
Front Panel Display (LCD) Not Lit	6-4
Communication Problems	6-4
Capacitor Failure	6-4
Incorrect Input Voltage	6-5
Improper Impedance Range	6-5
Improper RF Connection or Cabling	6-5
Improper Grounding	6-6
Improper Interface Connection	6-6
Improper Tuning Adjustment	6-7
Checking for and Resolving Errors and Warnings	6-7
World Wide Web Site	6-12
Customer Support	6-14
Returning Units for Repair	6-16
Warranty	6-16
Authorized Returns	6-17
Warranty Statement	6-17

List of Figures

Fig 2-1 CESAR generator block diagram	2-2
Fig 3-1 CESAR Generator unit dimensions	3-2
Fig 4-1 Rear view with 15-pin User port and RS-232 port (pn 61300044)	4-2
Fig 4-2 Rear view with 15-pin User port and Ethernet port (pn 61300045)	4-3
Fig 4-3 Rear view with 15-pin User port and PROFIBUS port (pn 61300046)	4-4
Fig 4-4 Rear view with 25-pin User port and RS-232 port (pn 61300047)	4-5
Fig 4-5 Rear view with 25-pin User port and Ethernet port (pn 61300048)	4-6
Fig 4-6 Rear view with 25-pin User port and PROFIBUS port (pn 61300049)	4-7
Fig 4-7 Rear view with 15-pin User Port and PROFIBUS port (pn 61300110)	4-8
Fig 4-8 Matching Interface connector	4-9
Fig 4-9 25-pin User Port connector	4-12
Fig 4-10 REFLECTED POWER MONITOR signal wiring (pins 2 and 15)	4-23
Fig 4-11 RF FORWARD/LOAD POWER MONITOR signal wiring (pins 3 and 16)	4-23
Fig 4-12 RF POWER ON signal wiring (pins 4 and 17)	4-24
Fig 4-13 SET POINT signal wiring (pins 5 and 18)	4-24
Fig 4-14 RF FORWARD POWER/DC BIAS REGULATION wiring (pins 6 and 19)	4-25
Fig 4-15 DC BIAS MONITOR signal wiring (pins 7 and 20)	4-25
Fig 4-16 RF FORWARD/LOAD REGULATION signal wiring (pins 8 and 21)	4-26
Fig 4-17 INTERLOCK LOOP signal wiring (pins 10 and 23)	4-26
Fig 4-18 +15 VOLT DC signal wiring (pins 13 and 21)	4-27
Fig 4-19 SET POINT STATUS signal wiring (pins 14 and 1)	4-27
Fig 4-20 OVERTEMPERATURE signal wiring (pins 22 and 9)	4-28
Fig 4-21 INTERLOCK SATISFIED signal wiring (pins 24 and 11)	4-28
Fig 4-22 BLANKING/PULSING signal wiring (pins 25 and 19)	4-29
Fig 4-23 15-pin User Port connector	4-29
Fig 4-24 Interlock interface connector	4-31
Fig 4-25 OPERATING MODE A wiring diagram (pins 1 and 8)	4-37
Fig 4-26 OPEATING MODE B wiring diagram (pins 2 and 8)	4-37
Fig 4-27 READY STATUS wiring diagram (pins 3 and 8)	4-38
Fig 4-28 ERROR wiring diagram (pins 4 and 8)	4-38
Fig 4-29 MAXIMUM POWER LEVEL REACHED wiring diagram (pins 5 and 8)	4-39
Fig 4-30 RF ON wiring diagram (pins 6 and 8)	4-39
Fig 4-31 INTERFACE VOLTAGE wiring diagram (pins 7 and 8)	4-40
Fig 4-32 BLANKING/PULSING MODE wiring diagram (pins 9 and 8)	4-40
Fig 4-33 RF POWER ON wiring diagram (pins 10 and 8)	4-41
Fig 4-34 DC BIAS SET POINT wiring diagram (pins 11 and 8)	4-41
Fig 4-35 RF POWER SET POINT wiring diagram (pins 12 and 8)	4-42
Fig 4-36 TEST VOLTAGE FOWARD POWER wiring diagram (pins 13 and 8)	4-42
Fig 4-37 TEST VOLTAGE REFLECTED POWER wiring diagram (pins 14 and 8)	4-43
Fig 4-38 TEST VOLTAGE FOR DC BIAS wiring diagram (pins 15 and 8)	4-43
Fig 4-39 RS-232 host connector	4-45
Fig 4-40 Graphic representation of a message packet	4-47

Fig 4-41 AE Bus communications transaction	4-49
Fig 4-42 Communications transaction example	4-51
Fig 4-43 PROFIBUS port connector	4-51
Fig 4-44 Ethernet connector	4-58
Fig 5-1 Output (RF Out) connector	5-4
Fig 5-2 CEX/Interconnect	5-7
Fig 5-3 Input (Mains) connector	5-8
Fig 5-4 Front panel	5-24
Fig 5-5 Front panel program menu tree	5-29
Fig 5-6 Front panel program menu tree (continued)	5-30

List of Tables

Table 1-1 CESAR 136 (E) options	1-2
Table 1-2 Electromagnetic compatibility (EMC) directives and standards	1-5
Table 1-3 Safety directives and standards	1-6
Table 1-4 CESAR generator limits	1-8
Table 2-1 CESAR generator theory of operation	2-2
Table 3-1 Physical specifications	3-3
Table 3-2 Electrical specifications	3-4
Table 3-3 Cooling specifications	3-6
Table 3-4 Climatic specifications	3-6
Table 3-5 Environmental specifications	3-7
Table 4-1 Matching Interface pin descriptions	4-9
Table 4-2 25-pin User Port pin descriptions	4-14
Table 4-3 Interlock interface pin descriptions	4-31
Table 4-4 15-pin User Port pin descriptions	4-32
Table 4-5 Setting regulation mode with 15-pin User Port pins 1 and 2	4-36
Table 4-6 RS-232 host pin descriptions	4-45
Table 4-7 PROFIBUS Host port pins	4-52
Table 4-8 PROFIBUS status LEDs	4-53
Table 4-9 Configuration of download bytes (outbytes)	4-55
Table 4-10 Configuration of upload packet (inbytes)	4-56
Table 4-11 Upload status bytes	4-57
Table 4-12 Packet format for FC23 send	4-59
Table 4-13 Packet format for FC23 response	4-61
Table 4-14 Packet format for FC23 exception error	4-62
Table 4-15 Host port CSR codes	4-63
Table 4-16 Host port commands	4-64
Table 5-1 Output connector pin descriptions	5-4
Table 5-2 Input connector pin description	5-8
Table 5-3 Overview of CESAR front panel control elements	5-25
Table 5-4 Adjusting Variomatch capacitors	5-44
Table 6-1 Error description and resolution	6-8
Table 6-2 Warning description and resolution	6-11
Table 6-3 Customer Service contact information	6-14

Safety and Product Compliance Guidelines

IMPORTANT SAFETY INFORMATION

To ensure safe installation and operation of the Dressler® HF-Technik GmbH CESAR generator, read and understand this manual before attempting to install and operate this unit. At a minimum, read and follow the safety instructions and practices documented under [“Safety Guidelines” on page 1-3](#).

INTERPRETING THE MANUAL

The following sections provide information to help you interpret this user manual.

This Revision of the Manual

This revision of the manual provides information associated with software release 1.16. This version of the software included changes to the error and warning messages. Please use an appropriate revision of this manual for earlier versions of the software. If you do not have the appropriate manual, contact Customer Support (see [“Customer Support” on page 6-14](#)).

Note: The unit reports the software revision level with host port command **198** (see [Table 4-16 on page 4-64](#)).

Understanding Model 136 Options

The Model 136 has several different unit options, each with a unique part number and unique combination of communication interfaces. The following table lists the option part numbers and corresponding interfaces. See also [“Rear View Drawings” on page 4-2](#). For specific interface information, see [“Communication Interfaces” on page 4-1](#).

Note: To determine which option you have, find the serial tag affixed to the unit; the part number is on the serial tag.

Table 1-1. CESAR 136 (E) options

Model Part Number	User Port Options		Host Port Options		
	25-pin User Port	15-pin User Port	RS-232	Ethernet	PROFIBUS
61300044		X	X		
61300045		X		X	
61300046		X			X
61300047	X		X		
61300048	X			X	
61300049	X				X
61300110		X			X
61300111		X	X		

Type Conventions

Please note the following type conventions:

- Pin and signal names appear in capitalized italics (*RF POWER ON*).
- New terms appear in *italicized* text.
- Unit labels (switches, indicators, and so on) appear in boldface text (**Mains**).
- Commands (**1**) and command names (**regulation select**) appear in boldface, lowercase text.

Danger, Warning, and Caution Boxes



This symbol represents important notes concerning potential harm to people, this unit, or associated equipment. Dressler® HF-Technik GmbH includes this symbol in Danger, Warning, and Caution boxes to identify specific levels of hazard seriousness.

DANGER:

DANGER indicates an imminently hazardous situation that, if not avoided, will result in death or serious injury. **DANGER** is limited to the most extreme situations.

WARNING:

WARNING indicates a potentially hazardous situation that, if not avoided, could result in death or serious injury, and/or property damage.

CAUTION:

CAUTION indicates a potentially hazardous situation that, if not avoided, could result in minor or moderate injury, and/or damage to property. **CAUTION** is also used for property-damage-only accidents.

SAFETY GUIDELINES

Review the following information before attempting to install and operate this unit.

Rules for Safe Installation and Operation

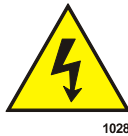
Please note the following:

- Do not attempt to install or operate this equipment without proper training.
- There are no user-serviceable parts inside the CESAR generator. Refer servicing to trained service personnel (see [“Customer Support” on page 6-14](#)).
- Ensure that this unit is properly grounded (see also [“Grounding” on page 5-4](#)).

- Ensure that all cables are properly connected (see also “[CESAR Generator User Port Options](#)” on page 4-11 and “[CESAR Generator Host Port Options](#)” on page 4-43).
- Verify that input line voltage and current capacity are within specifications before turning on the power supplies (see “[Electrical Specifications](#)” on page 3-4).
- Use proper electrostatic discharge (ESD) precautions.
- Always be careful around this equipment.

Interpreting Product Labels

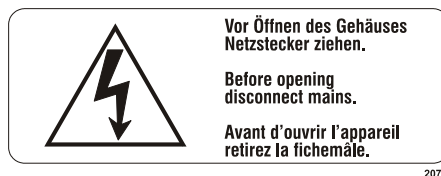
The following labels may appear on the unit:



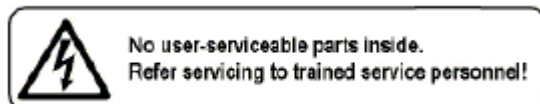
Capacitor discharge warning



CE label



Hazardous voltage



No user-serviceable parts inside unit

PRODUCT COMPLIANCE

The following sections include information about unit compliance and certification, including the conditions of use required to be in compliance with the standards and directives.

Product Certification

Certain options of this product are certified by:

- CE marking, self addressed by Dressler Compliance Engineering
- EMC measurements, verified by Competent Body Product Services

For more information, refer to the letter of conformance (US) or declaration of conformity (EU) accompanying the product.

Safety and Compliance Directives and Standards

Certain options of this unit have been tested for and comply with the following electromagnetic compatibility (EMC) and safety directives and standards.

Note: This device must be installed and used only in compliance with the directives and standards listed in addition to VDE 0113, EN 60204 (IEC 60204), and applicable requirements.

ELECTROMAGNETIC COMPATIBILITY (EMC) DIRECTIVES AND STANDARDS

Table 1-2. Electromagnetic compatibility (EMC) directives and standards

Directive	Description
89/336/EEC	EC Council directive on the approximation of the laws of the Member States relating to electromagnetic compatibility (EMC Directive)
47 CFR Part 18	Code of Federal Regulations—Limits and methods of measurement of radio interference characteristics of industrial, scientific, and medical equipment
EN 55011	Limits and methods of measurement of radio disturbance characteristics of industrial, scientific, medical (ISM) radio frequency equipment (Class A, Group 2) (CISPR 11)
EN 61000-6-2	Electromagnetic Compatibility (generic immunity standard— industrial)

SAFETY DIRECTIVES AND STANDARDS

Table 1-3. Safety directives and standards

Directive	Description
73/23/EEC	EC Council directive on the harmonization of the laws of the Member States relating to electrical equipment designed for use within certain voltage limits (LVD - Low Voltage Directive)
EN 61010-1	Safety requirements for electrical equipment for measurement, control, and laboratory use

Conditions of Use

To comply with the stated directives and standards, you must meet the following conditions of use:



WARNING:

RISK OF DEATH OR BODILY INJURY. Disconnect and lockout/tagout all sources of input power before working on this unit or anything connected to it.

- Before making any other connection to this device, connect the auxiliary Protective Earth ground terminal to a local earth ground with a copper wire that is sized according to the applicable requirements (see [“Specifications” on page 3-1](#)).
- Install and operate this device in an overvoltage category II installation only.
- Install and operate this device only in a pollution degree 2 or better environment, which means an indoor location such as a computer room, office, or factory floor where only nonconductive pollution occurs during operation. Occasionally, condensation causes temporary conductivity when the device is not operating.
- Install this device so that it is fully enclosed by a rack or other enclosure. The rack or enclosure must be metal and either reinforced or of sufficient thickness to resist the following tests:
 - ▶ A steady force of 445 N, applied through a steel hemisphere 12.7 mm in diameter
 - ▶ An impact of 7 J applied by dropping or swinging a 0.53 kg, 50 mm diameter steel sphere

- Following the tests, there must still be a minimum clearance of 12.7 mm between the rack or enclosure and the power supply. There shall be no deformation of the power supply.
- You must install and operate this device with a disconnect switch that conforms to the applicable requirements. The switch must be easily accessible and near the device.
- The **ON/OFF** power switch does not completely disconnect the **Mains**. You must install an external switch to completely disconnect **Mains**.
- Use only shielded cables on the **Host (RS-232, PROFIBUS, or Ethernet)** and **User Port** connectors.
- Install this device so that the input power (**Mains**) connection is inaccessible to the user.
- Install this device so that the output power (**RF Out**) connection is inaccessible to the user.
- The AC cord must be terminated according to the applicable requirements (see [“Specifications” on page 3-1](#)).

INTERLOCKS AND LIMITS



WARNING:

Dressler® HF-Technik GmbH's products only include interlocks and limits when required by product specification. Interlocks and limits in Dressler® HF-Technik GmbH products are *not* meant to meet or satisfy safety requirements. Where interlocks or limits exist, you must still meet and satisfy safety requirements. The presence of interlocks or limits does *not* imply operator protection.

All CESAR generators have an **Interlock** interface. This interface allows you to integrate any CESAR generator into a system interlock loop that can interrupt the delivered RF power. Even if you do not connect this CESAR generator into a larger system interlock loop, you must make the proper interlock loop connections for the unit to enable RF power.

The CESAR Generator may be shipped with an interlock jumper plug that provides a connection between the interlock pins. You can use this jumper plug to satisfy the interlock and enable operation in situations where you do not intend to connect the remaining pins on this port.

**ATTENTION:**

Using the interlock jumper plug disables the interlock function.

For more information on satisfying the interlock signal, see:

- ▶ If you have a 25-pin **User Port**, see [“User Port—25-Pin User Port” on page 4-11](#).
- ▶ If you have a 15-pin **User Port** and 9-pin **Interlock** connector, see [“User Port—15-Pin User Port” on page 4-29](#).

In addition, the CESAR generator includes specific limits that are described in [Table 1-4](#). To recover from a limiting condition, see [“Troubleshooting Guide” on page 6-2](#) or the specific cross-references listed in the table.

Table 1-4. CESAR generator limits

Limit	Unit Response and User Resolution
RF power limit	<p>When the unit reaches the forward or reflected power limit, the unit reduces forward power to remain within the limits. <i>Output is not at set point.</i></p> <p>For more information see W11, W12, and W13 in Table 6-2 on page 6-11.</p> <p>See also pin 14 in Table 4-2 on page 4-14 or pin 5 in Table 4-4 on page 4-32, depending on which option you have. To determine which option you have, see “Understanding Model 136 Options” on page 1-2.</p>
Overtemperature	<p>When the unit exceeds the specified maximum temperature, RF power shuts off, and the unit displays an error code. For information on resolving an overtemperature condition, see E10 and E11 in Table 6-1 on page 6-8.</p> <p>See also pin 22 in Table 4-2 on page 4-14 or pin 4 in Table 4-4 on page 4-32, depending on which option you have. To determine which option you have, see “Understanding Model 136 Options” on page 1-2.</p>

Table 1-4. CESAR generator limits

Limit	Unit Response and User Resolution
Current limit	When the voltage or the current exceeds the limit of the internal SMPS, the unit reduces output to remain within the limits. <i>Output is not at set point.</i> For more information, see W10 in Table 6-2 on page 6-11 .
External pulse frequency limit	When the external pulse frequency exceeds the limit, the unit turns RF power off. For more information, see W40 in Table 6-2 on page 6-11 .
Target lifetime limit	The target lifetime warning occurs when the target lifetime reaches the user-set limit. This warning does not affect the operation of the unit. For more information, see W50 in Table 6-2 on page 6-11 .

Product Overview and Theory

DESCRIPTION

CESAR™ 136 Generators are **Class E Switched Mode Amplifiers** for **Radio Frequency (CESAR)**, a new generation of versatile RF power supplies for semiconductor production, and general plasma processing. This 13.56 MHz generator employs parallel excited circuitry in a compact, 19" rack-mountable design. Typical applications include sputtering, reactive ion etching, RF bias, plasma polymerization, plasma surface treatment, and CO₂ laser systems.

The CESAR generator incorporates advanced switch mode technology. This highly efficient, resonant switching concept results in reduced energy costs, reduced downtimes, and a longer lifetime for the unit.

Designed to regulate power into a broad range of output impedances, the CESAR generator can operate in forward, load, or external power regulation mode (see [“Setting Regulation Mode” on page 5-15](#)).

Both manual and automatic tuning control support operation into a fixed impedance matching network, which simplifies system complexity, increases reliability, and improves process-to-process repeatability (see [“Controlling the Matchbox” on page 5-20](#)).

You can control the CESAR generator remotely through an analog **User Port** (see [“CESAR Generator User Port Options” on page 4-11](#)) or a serial **Host port** (see [“CESAR Generator Host Port Options” on page 4-43](#)). The front panel features a *liquid crystal display (LCD)* with an easy-to-use menu that includes widely programmable pulse functions, a target lifetime counter, and submenus to customize your own recipes, reflected power settings, and Variomatch settings (when the generator is connected to a Variomatch unit). In addition, you may control RF power and match settings using the front panel controls. For operation instructions, see [“First-Time Operation” on page 5-10](#) and [“Normal Operation” on page 5-15](#).

The CESAR generator operates from a 230 VAC, 50/60 Hz power source. The CESAR generator is air-cooled and has all power and interface-port connections at the rear of the generator (see [“Rear View Drawings” on page 4-2](#)).

THEORY OF OPERATION

Figure 2-1 represents high-level modules of CESAR generator operation; Table 2-1 explains each module.

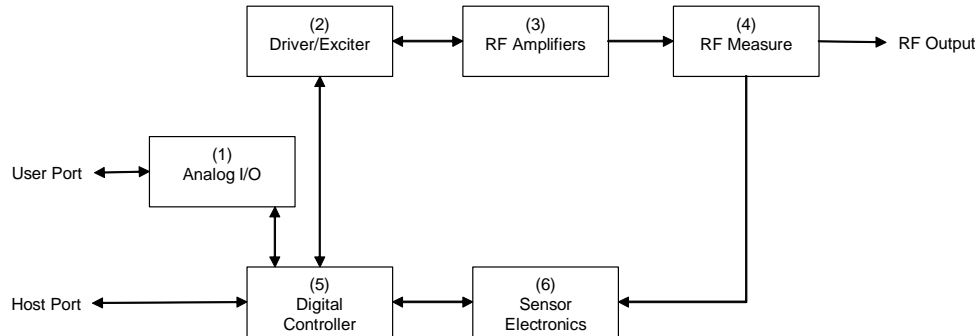


Figure 2-1. CESAR generator block diagram

Table 2-1. CESAR generator theory of operation

Module	Description
(1) Analog I/O	This module provides the User interface.
(2) Driver/Exciter	This module generates power at the designated output frequency to drive the main RF sections and contains the CEX functions.
(3) RF Amplifiers	This module generates RF power.
(4) RF Measure	This module samples the output signal and sends it to the sensor electronics.
(5) Digital Controller	This module is the main processor and data acquisition section. It also provides Host communications through a Host port.
(6) Sensor Electronics	This module detects RF samples and sends them to the microprocessor.

Specifications

PHYSICAL SPECIFICATIONS

The following sections describe the dimensions and physical specifications of the CESAR generator. All generator specifications are also available online; please visit <http://www.dressler.com/products/generators>.

- “Unit Dimensions” on page 3-2
- “Physical Specifications Table” on page 3-3

Unit Dimensions

The following illustration shows the dimensions of the CESAR generator.

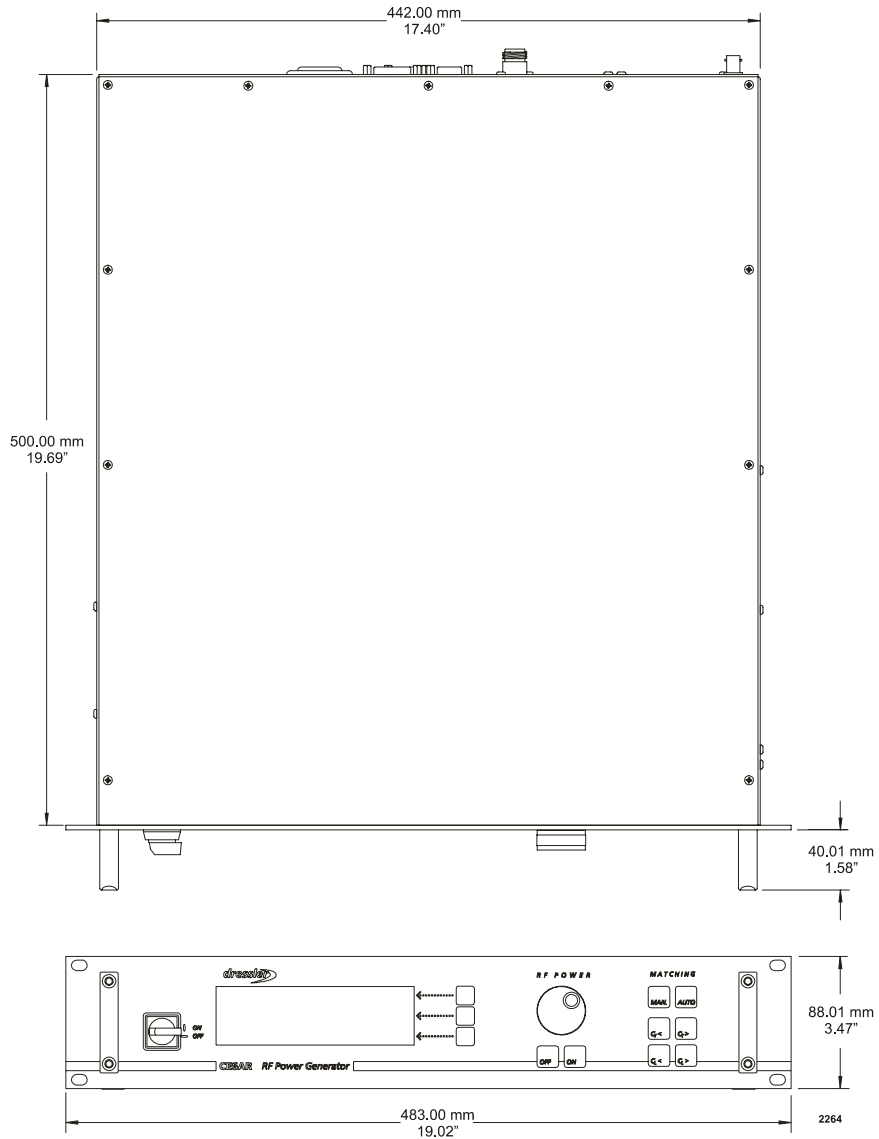


Figure 3-1. CESAR Generator unit dimensions

Physical Specifications Table

The following table describes the physical specifications of the CESAR generator.

Table 3-1. Physical specifications

Description	Specification
Size	8.8 cm (H) x 48.26 cm (W) x 50 cm (D) 3.46" (H) x 19" (W) x 19.69" (D) (See "Unit Dimensions" on page 3-2.)
Weight	19.2 kg (42 lb)
Clearance	6 cm (2.36") required on each side for airflow; 10.16 cm (4") required at rear for cable connections
Mounting	19" rack-mounting holes are provided on the generator front panel. For more information, see "Mounting the CESAR Generator" on page 5-3
Connector/Cable specifications	
AC input power	IEC 320 connector For more information, see "Connecting AC Input (Mains) Power" on page 5-8.
RF output	N-Type, female connector For more information, see "Connecting RF Output Power" on page 5-4.
User Port (Analog I/O)	There are two analog interface options available for the CESAR generator: <ul style="list-style-type: none"> • A 25-pin User Port (see "User Port—25-Pin User Port" on page 4-11) • A 15-pin User Port (see "User Port—15-Pin User Port" on page 4-29). <p>To determine which analog interface you have, see "Understanding Model 136 Options" on page 1-2. For more information on the analog interfaces, see "CESAR Generator User Port Options" on page 4-11.</p>

Table 3-1. Physical specifications (Continued)

Description	Specification
Host Port	<p>The CESAR generator has three host port communication interface options:</p> <ul style="list-style-type: none"> An RS-232, 9-pin, female, shielded, subminiature-D connector (see also “Host Port—RS-232 With AE Bus” on page 4-44) A PROFIBUS 9-pin, female, subminiature-D connector (see also “Host Port—PROFIBUS” on page 4-51) An Ethernet Modbus/TCP connection (see also “Host Port—Ethernet (Modbus/TCP)” on page 4-57) <p>To determine which host port you have, see “Understanding Model 136 Options” on page 1-2. For more information on the Host port options, see “CESAR Generator Host Port Options” on page 4-43.</p>
CEX	CEX BNC, female
Front panel display	LCD graphic display

ELECTRICAL SPECIFICATIONS

[Table 3-2](#) describes the electrical specifications of the CESAR generator.

Table 3-2. Electrical specifications

Description	Specification
Input power specifications	
Line voltage	230 VAC (187 VAC to 253 VAC), 1 ϕ with ground (PE)
Line Frequency	50/60 Hz
Line current	4.6 A nominal line, full power
Input power	1050 VA
Power factor	97% to 99%

Table 3-2. Electrical specifications (Continued)

Description	Specification
Overcurrent protection	10 A
Efficiency (line to load)	65%, typical at full-rated power, nominal line, into a 50 Ω load
RF output specifications	
Frequency	13.56 MHz \pm 0.005%
Minimum output power	6 W <i>Note: The CESAR generator can operate below this level, but accuracy is not guaranteed.</i>
Maximum output power	600 W
Delivered power into mismatch	33% of nominal power
Maximum reflected power	200 W
Load Impedance	50 Ω
Harmonics	At full rated output, all harmonics are 50 dB below the RF output signal when operated into a 50 Ω , nonreactive load impedance. All spurious (nonharmonic) outputs are 60 dB below the RF output signal.
RF Power Regulation	1.0% of set point or 0.1% of full rated power, whichever is greater
RF Power Stability	1.0% of set point or 0.2% of full rated power, whichever is greater
RF Power Response Time	For detailed specifications of RF waveforms, see www.dressler.com/products/generators .
RF Pulse frequency	1 Hz to 30 kHz
RF Pulse Duty Cycle	0% to 99%
CEX Specifications	
CEX input signal	TTL; 0 to +10 dBm; 50 Ω
CEX output signal	TTL; +3 to +10 dBm; 50 Ω

COOLING SPECIFICATIONS

Table 3-3 describes the cooling specifications of the CESAR generator.

Table 3-3. Cooling specifications

Description	Specification
Cooling medium	Air
Minimum air flow	118 m ³ /h (69.45 cfm)

ENVIRONMENTAL SPECIFICATIONS

Table 3-4 and Table 3-5 describe the environmental specifications of the CESAR generator.

Table 3-4. Climatic specifications

	Temperature	Relative Humidity	Air Pressure
Operating	5°C to +35°C +41°F to +95°F	Class 3K2 10% to 85% ^{Note 1} +2 g/m ³ to +25 g per m ³	Class 3K3 80 kPa to 106 kPa 800 mbar to 1060 mbar (approximately 2000 m above sea level)
<p>Note 1 Noncondensing</p> <p>Note 2 Maximum relative humidity when the unit temperature slowly increases, or when the unit temperature directly increases from -25°C to +30°C</p> <p>Note 3 Maximum absolute humidity when the unit temperature directly decreases from +70°C to +15°C</p>			

Table 3-4. Climatic specifications (Continued)

	Temperature	Relative Humidity	Air Pressure
Storage	Class 1K4 -25°C to +55°C -13°F to +131°F	Class 1K3 5% to 95% +1 g per m ³ to +29 g per m ³	Class 1K4 80 kPa to 106 kPa 800 mbar to 1060 mbar (approximately 2000 m above sea level)
Transportation	Class 2K3 -25°C to +70°C -13°F to +158°F	Class 2K3 95% ^{Note 2} +60 g per m ³ ^{Note 3}	Class 2K3 66 kPa to 106 kPa 660 mbar to 1060 mbar (approximately 3265 m above sea level)
<p>Note 1 Noncondensing</p> <p>Note 2 Maximum relative humidity when the unit temperature slowly increases, or when the unit temperature directly increases from -25°C to +30°C</p> <p>Note 3 Maximum absolute humidity when the unit temperature directly decreases from +70°C to +15°C</p>			

Table 3-5. Environmental specifications

Description	Specification
Overvoltage	Category II
Pollution	Degree 2

Communication Interfaces

The CESAR generator has several possible interface options. The following figures illustrate the available interface combinations for the Model 136 CESAR generator. The sections that follow describe each interface.

Note: To determine which interface options you have, see [“Understanding Model 136 Options”](#) on page 1-2.

- For an illustration of the “Rear view with 15-pin User port and RS-232 port (pn 61300044)”, see [Figure 4-1](#) on page 4-2.
- For an illustration of the “Rear view with 15-pin User port and Ethernet port (pn 61300045)”, see [Figure 4-2](#) on page 4-3.
- For an illustration of the “Rear view with 15-pin User port and PROFIBUS port (pn 61300046)”, see [Figure 4-3](#) on page 4-4.
- For an illustration of the “Rear view with 25-pin User port and RS-232 port (pn 61300047)”, see [Figure 4-4](#) on page 4-5.
- For an illustration of the “Rear view with 25-pin User port and Ethernet port (pn 61300048)”, see [Figure 4-5](#) on page 4-6.
- For an illustration of the “Rear view with 25-pin User port and PROFIBUS port (pn 61300049)”, see [Figure 4-6](#) on page 4-7.
- For an illustration of the “Rear view with 15-pin User Port and PROFIBUS port (pn 61300110)”, see

REAR VIEW DRAWINGS

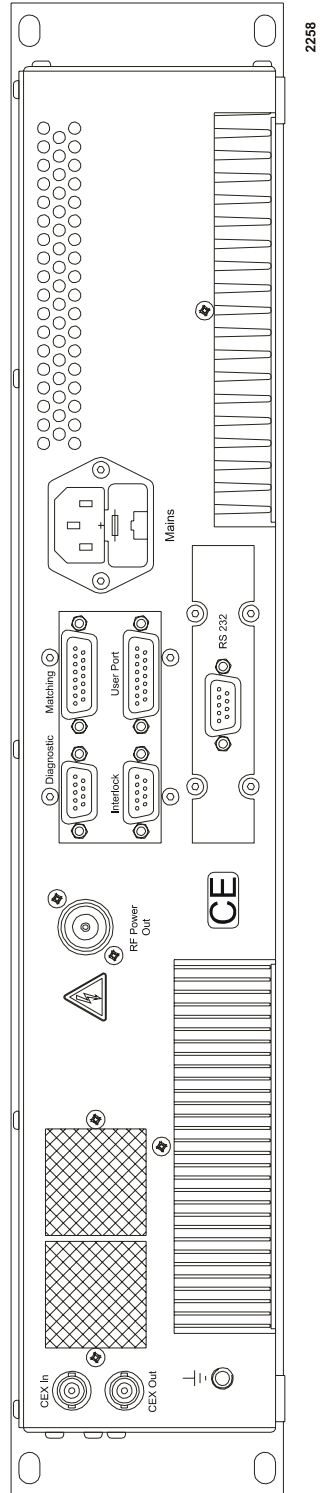


Figure 4-1. Rear view with 15-pin User port and RS-232 port (pn 61300044)

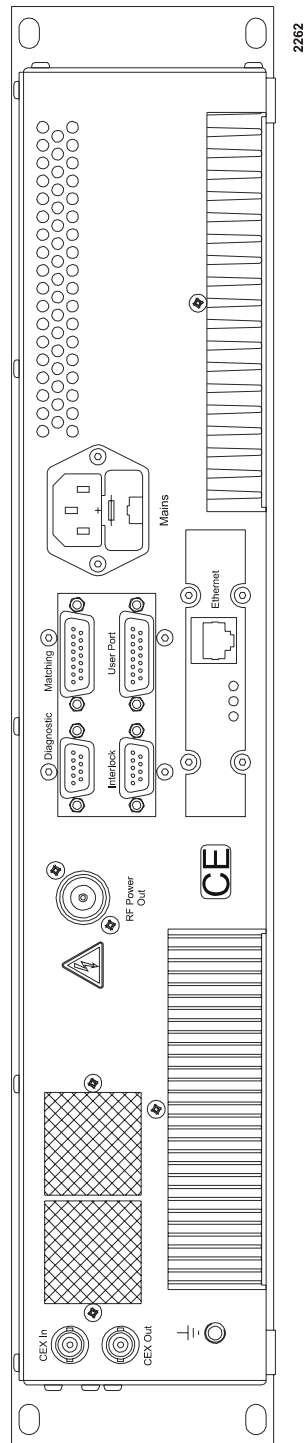


Figure 4-2. Rear view with 15-pin User port and Ethernet port (pn 61300045)

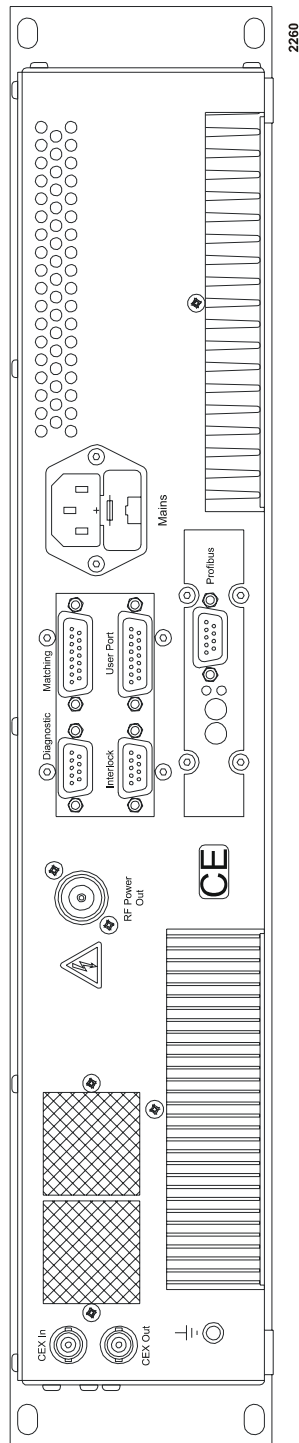


Figure 4-3. Rear view with 15-pin User port and PROFIBUS port (pn 61300046)

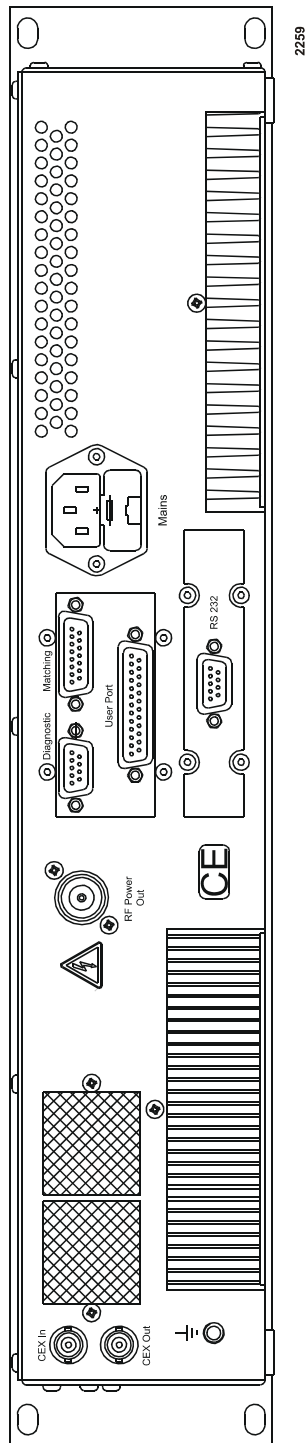


Figure 4-4. Rear view with 25-pin User port and RS-232 port (pn 61300047)

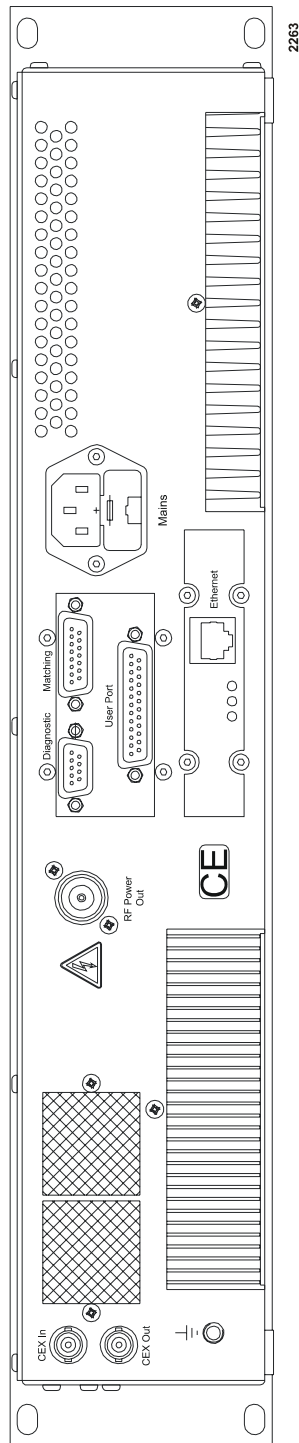


Figure 4-5. Rear view with 25-pin User port and Ethernet port (pn 61300048)

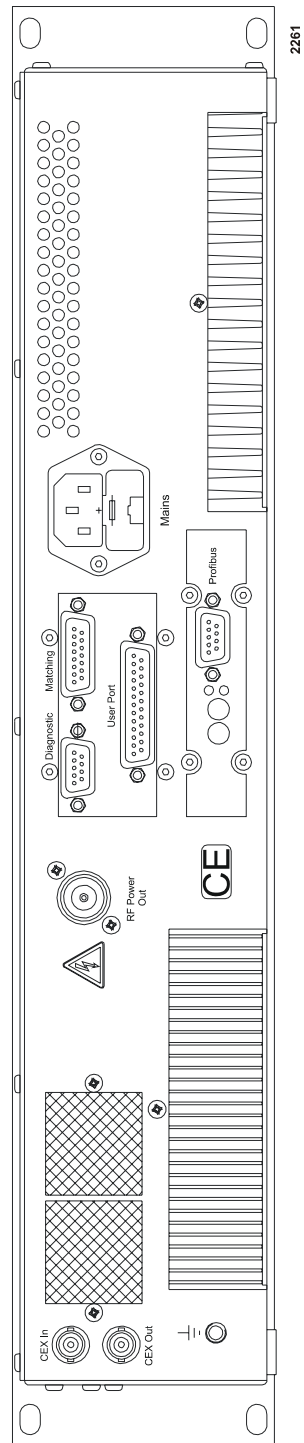


Figure 4-6. Rear view with 25-pin User port and PROFIBUS port
(pn 61300049)

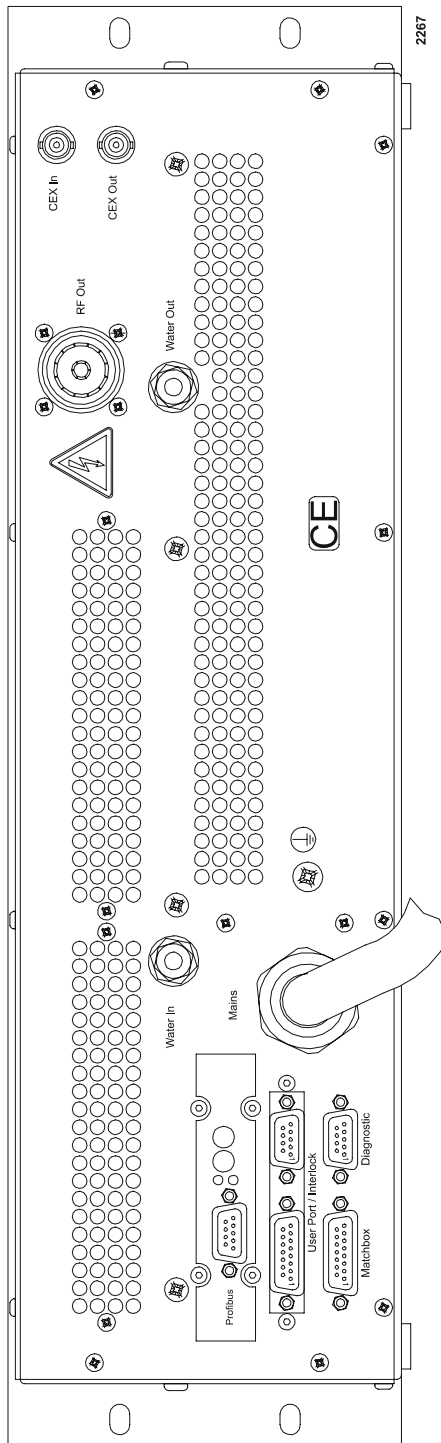


Figure 4-7. Rear view with 15-pin User Port and PROFIBUS port (pn 61300110)

DIAGNOSTIC INTERFACE

Each CESAR generator has a **Diagnostic** interface for use only at authorized Dressler Service Centers. Technicians can check internal commands, calibrate the unit, or flash software using this interface.

MATCHING INTERFACE

Each CESAR generator has a **Matching Interface** that allows full communication between the CESAR generator and a Dressler Variomatch matching network (or other electrically compatible matching network). The matching interface is a 15-pin, subminiature-D, female connector. [Figure 4-8](#) illustrates the connector, and [Table 4-1](#) describes each pin.

Note: This interface is will not work with other matching networks unless they are electrically compatible.

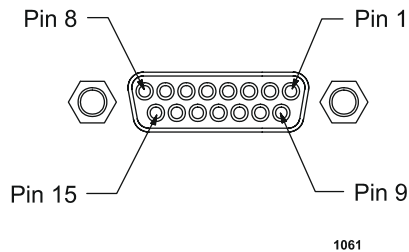


Figure 4-8. Matching Interface connector

Table 4-1. Matching Interface pin descriptions

Pin	Name	Signal Type	Level	Description
1	GROUND			Connect to the shield of the cable (for example, RC cable)
2	DECREASE C_{Load}	Digital Output	Open collector 30 V capable	The output is connected to ground to turn the Load motor counter clockwise
3	INCREASE C_{Load}	Digital Output	Open collector 30 V capable	The output is connected to ground to turn the Load motor clockwise
4	DECREASE C_{Tune}	Digital Output	Open collector 30 V capable	The output is connected to ground to turn the Tune motor counter clockwise

Table 4-1. Matching Interface pin descriptions (Continued)

Pin	Name	Signal Type	Level	Description
5	INCREASE C_{Tune}	Digital Output	Open collector 30 V capable	The output is connected to ground to turn the Tune motor clockwise
6	MEASURE GROUND			Reference ground for the measurement of analog signals at pins 12 to 14.
7	NO CONNECTION			
8	MANUAL TUNE	Digital Output	Open collector 30 V capable	To set the Variomatch unit to manual tune control, connect this pin to ground. To set the Variomatch unit to automatic tune control, leave this pin unconnected.
9	CASE GROUND			Connect to the shield of the cable.
10	NO CONNECTION			
11	STATUS	Digital Input	+15 V	This pin connects the +15 V output voltage of the Variomatch unit to indicate if a match network is connected.
12	DC BIAS MEASURE VOLTAGE	Analog Input	0 V to 10 V	This pin reads a test voltage of the DC self bias voltage. The scaling is adjustable. For example, in the default configuration of the Dressler Variomatch, 4000 V bias voltage is equal to 10 V test voltage and is displayed on the front panel as 4000.
13	POSITION OF TUNE CAPACITOR	Analog Input	0 V to 10 V	The voltage at this input is proportional to the position of the Tune capacitor. A 10 V reading at this pin is equal to 100% on the front panel display.

Table 4-1. Matching Interface pin descriptions (Continued)

Pin	Name	Signal Type	Level	Description
14	<i>POSITION OF LOAD CAPACITOR</i>	Analog Input	0 V to 10 V	The voltage at this input is proportional to the position of the Load capacitor. A 10 V reading at this pin is equal to 100% on the front panel display.
15	<i>MATCH IS ACTIVE</i>	Digital Input	Pull up to 5 V	This input is switched to ground when the Variomatch unit is active (motors are running) and it floats when the machining procedure is complete.

CESAR GENERATOR USER PORT OPTIONS

The **User Port** on the CESAR generator provides analog and digital signals for controlling and monitoring the unit. There are two **User Port** options available for the CESAR generator:

- A 25-pin **User Port** (see [“User Port—25-Pin User Port”](#) on page 4-11)
- A 15-pin **User Port** (see [“User Port—15-Pin User Port”](#) on page 4-29).

Note: To determine which option you have, see [“Understanding Model 136 Options”](#) on page 1-2.

This section describes both **User** port connectors, the minimal connections required to operate the unit, cabling requirements, and detailed information about the **User** port signals.

User Port—25-Pin User Port

This section describes the 25-pin **User Port** port. For information on the 15-pin **User Port**, see [“User Port—15-Pin User Port”](#) on page 4-29.

Note: To determine which option you have, see [“Understanding Model 136 Options”](#) on page 1-2.

USER PORT CONNECTOR

As shown in [Figure 4-9](#), the **User Port** is a 25-pin, shielded, female, subminiature-D connector.

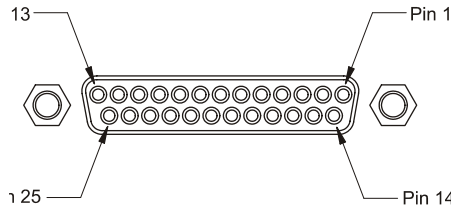


Figure 4-9. 25-pin User Port connector

SATISFYING MINIMAL 25-PIN USER PORT REQUIREMENTS

If you do not use the **User Port** to control or monitor the CESAR generator, you still must satisfy the **User Port INTERLOCK LOOP** signal to operate the generator.



WARNING:

Dressler® HF-Technik GmbH's products only include interlocks and limits when required by product specification. Interlocks and limits in Dressler® HF-Technik GmbH products are *not* meant to meet or satisfy safety requirements. Where interlocks or limits exist, you must still meet and satisfy safety requirements. The presence of interlocks or limits does *not* imply operator protection.

The CESAR Generator may be shipped with an interlock jumper plug that provides a connection between the interlock pins. You can use this jumper plug to satisfy the interlock and enable operation in situations where you do not intend to connect the remaining pins on this port.



ATTENTION:

Using the interlock jumper plug disables the interlock function.

25-PIN USER PORT CABLING REQUIREMENTS

Connect the CESAR generator's 25-pin **User Port** to the system controller with a shielded, 25-wire I/O cable. Shielded twisted-pair wiring is recommended but not mandatory. Minimize signal losses by keeping the cable as short as possible. The maximum recommended cable length between the

CESAR generator and the controller is 10 meters (33 feet). Minimize interference from adjacent electrical equipment by terminating the EMI shield in the cable to the metal shells of the cable's connectors. Additionally, you must tie the chassis of the CESAR generator to a local earth ground through an adequately sized copper grounding strap.

Note: Grounding the **User Port** at the CESAR generator reduces noise interference. To avoid ground loop problems, you should typically ground only one end of the **User Port** cable.

ACTIVATING THE 25-PIN USER PORT

To activate the 25-pin User Port control

1. Press the **Program** soft key.
2. Press **Next** until you see **Device Configuration** on the display.
3. Press **Change**.
4. Press **OK** until you see **Control by** on the right-hand side of the screen.
5. Press **User Port**.
6. Press **Execute**.

25-PIN USER PORT PIN DESCRIPTIONS

Table 4-2 provides the connector pin descriptions for the 25-pin **User Port**. For interface wiring diagrams for all active pins, see “25-Pin User Port Wiring Diagrams” on page 4-23.

Table 4-2. 25-pin User Port pin descriptions

Pin Number	Return Pin	Name	Signal Type	Description
1		Return for pin 14		See pin 14.
2	15	<i>REFLECTED POWER MONITOR</i>	Analog output	<p>This signal provides a linearly scaled readback of reflected power as measured at the generator output. The default range is 0 V to 10 V, but you can change this range (see “Analog Outputs” on page 4-22).</p> <p>Default setting: 0 V to 10 V = 0 W to 600 W</p> <p>For a wiring diagram, see Figure 4-10 on page 4-23.</p> <p>Pin 15 must be grounded.</p>

Table 4-2. 25-pin User Port pin descriptions (Continued)

Pin Number	Return Pin	Name	Signal Type	Description
3	16	<i>FORWARD/LOAD POWER MONITOR</i>	Analog output	<p>This signal provides a linearly scaled readback of forward power or load power as measured at the generator output. The default range is 0 V to 10 V, but you can change this range (see “Analog Outputs” on page 4-22).</p> <p>(For a description of regulation mode, see “Setting Regulation Mode” on page 5-15. To change control settings, see pin 8.)</p> <p>Default setting: 0 V to 10 V = 0 W to 600 W</p> <p>For a wiring diagram, see Figure 4-11 on page 4-23.</p> <p>Pin 16 must be grounded.</p>

Table 4-2. 25-pin User Port pin descriptions (Continued)

Pin Number	Return Pin	Name	Signal Type	Description
4	17	RF POWER ON	Digital input	<p>This signal enables or disables RF output. To enable RF output, apply a positive voltage of 4 V to 30 V to this pin. To disable RF output, apply a voltage of 1.5 V or less to this pin.</p> <p>For a wiring diagram, see Figure 4-12 on page 4-24.</p> <p><i>Note:</i> Before the CESAR generator can deliver power, the interlock must be satisfied (see “Satisfying Minimal 25-Pin User Port Requirements” on page 4-12) and the set point must be within the output power range (see “Electrical specifications” on page 3-4).</p> <p>Pin 17 must be grounded.</p>

Table 4-2. 25-pin User Port pin descriptions (Continued)

Pin Number	Return Pin	Name	Signal Type	Description
5	18	<i>SET POINT</i>	Analog input	<p>This signal sets the RF output set point. Depending on the regulation mode, the set point refers to forward power (P_{forward}), load power (P_{real}), or external power (DC Bias). The default range is 0 V to 10 V, but you can change this range (see “Analog Inputs” on page 4-21).</p> <p>A 0 V to 10 V signal applied to this pin linearly controls the set point of the CESAR generator:</p> <p>Default setting: 0 V to 10 V = 0 W to 600 W</p> <p>For DC bias regulation, the scaling of the set point must be the same as for the DC bias signal (see pin 7).</p> <p>For a wiring diagram, see Figure 4-13 on page 4-24.</p>
6	19	<i>RF FORWARD POWER/ DC BIAS REGULATION</i>	Digital input	<p>Use this signal to select DC bias or RF power regulation mode. To regulate on DC bias input, apply a positive voltage of 4 V to 30 V to this pin. To regulate on forward or load power, apply a voltage of 1.5 V or less or an open connection.</p> <p>See pin 8 for switching between forward and load power regulation.</p> <p>For a wiring diagram, see Figure 4-14 on page 4-25.</p>

Table 4-2. 25-pin User Port pin descriptions (Continued)

Pin Number	Return Pin	Name	Signal Type	Description
7	20	<i>DC BIAS INPUT</i>	Analog input	<p>This input signal is used for DC bias regulation, where the set point is given by pin 5 (scaling must be the same). The signal closes the control loop around external components in the RF path. The default range is 0 V to 10 V, but you can change this range (see “Analog Inputs” on page 4-21).</p> <p>Default setting: 0 V to 10 V = 0 V to 4000 V.</p> <p>Typically, matching networks provide a DC bias voltage monitor signal. When this scaled representation of the DC bias voltage is used for DC bias regulation (see pin 6), the scaling must be the same as for the set point (see pin 5). Dressler Variomatch matching networks provide a DC bias voltage monitor signal for regulation through the Matching Interface.</p> <p>For a wiring diagram, see Figure 4-15 on page 4-25.</p>

Table 4-2. 25-pin User Port pin descriptions (Continued)

Pin Number	Return Pin	Name	Signal Type	Description
8	21	<i>RF FORWARD/ LOAD POWER REGULATION</i>	Digital input	<p>Use this signal to select between RF forward power or load power regulation. Apply a positive DC input voltage of 4 V to 30 V to regulate on load power. An open connection to pin 8 or a DC input voltage of less than 1.5 V causes forward power regulation.</p> <p>Load power is defined as forward power minus reflected power.</p> <p><i>Note:</i> Pin 6 also changes the regulation mode.</p> <p>For a wiring diagram, see Figure 4-16 on page 4-26.</p>
9		Return for pin 22		See pin 22.
10	23	<i>INTERLOCK LOOP</i>	Digital input	<p>To satisfy the interlock and enable RF power in the generator, close an external loop from pin 23 to pin 10. A resistance of 15 Ω or less across this pin closes the loop. Pin 23 feeds this loop via a current limiting circuit (maximum 120 mA).</p> <p>Alternatively, you can satisfy the interlock by applying a voltage of +4 V to +30 V (referenced to ground) to pin 10.</p> <p>For a wiring diagram, see Figure 4-17 on page 4-26.</p>
11		Return for pin 24		See pin 24.
12		Reserved		

Table 4-2. 25-pin User Port pin descriptions (Continued)

Pin Number	Return Pin	Name	Signal Type	Description
13	21	+15 VDC SUPPLY	Supply	A nominal +15 VDC output referenced to chassis ground, auxiliary supply for external use (50 mA maximum); no internal limit. For a wiring diagram, see Figure 4-18 on page 4-27 .
14	1	SET POINT STATUS	Digital output	When the CESAR generator is out of set point, a low (opto-coupler output) impedance is created between this pin and return pin 1 (8 mA maximum). For a wiring diagram, see Figure 4-19 on page 4-27 .
15		Return for pin 2		See pin 2. Pin 15 must be grounded at the host.
16		Return for pin 3		See pin 3. Pin 16 must be grounded at the host.
17		Return for pin 4		See pin 4.
18		Return for pin 5		See pin 5.
19	N/A	DC GROUND	Chassis ground	DC ground connection common to chassis ground.
20		Return for pin 7		See pin 7.
21	N/A	CHASSIS GROUND	Chassis ground	DC ground connection common to chassis ground.
22	9	OVERTEMP	Digital output	When an internal overtemperature condition is detected, a low (opto-coupler output) impedance is created between this pin and return pin 9 (8 mA maximum). For a wiring diagram, see Figure 4-20 on page 4-28 .
23	10	Return for pin 10		See pin 10.

Table 4-2. 25-pin User Port pin descriptions (Continued)

Pin Number	Return Pin	Name	Signal Type	Description
24	11	<i>INTERLOCK SATISFIED</i>	Digital output	<p>When the interlock is satisfied, a low (opto-coupler output) impedance is created between this pin and return pin 11 (8 mA maximum).</p> <p>For a wiring diagram, see Figure 4-21 on page 4-28.</p>
25	19	<i>BLANKING/PULSING</i>	Pulse input	<p>When Pulse Settings is set to External, this pin allows you to pulse (blank) the RF power. Set the required logic for RF on and off through the front panel menu (see “Changing the Pulse Input Configuration Settings” on page 5-39).</p> <p>When Pulse Settings is set to Internal, this pin allows you to switch between internal pulsing and continuous wave operation. Select the appropriate function and signal level in the Pulse Input Configuration in the front panel menu.</p> <p>For a wiring diagram, see Figure 4-22 on page 4-29.</p> <p>For more information, see “Setting the Pulse Function” on page 5-33</p>

25-PIN USER PORT ELECTRICAL CHARACTERISTICS

Analog Inputs

By default, the **User port** set point and DC bias input signals (pins 5 and 7) are scaled 0 V to 10 V. These signals are scalable from 0 V to 2V up to 0 V to 10 V in increments of 0.5 V. You can set the scaling through the **RS-232** port

or the **PROFIBUS** port (see command 30 in [Table 4-16 on page 4-64](#)) or through the front panel menu commands (see [“Changing the Device Configuration Settings” on page 5-40](#)).

Note: Using lower input voltages decreases resolution.

Analog Outputs

By default, the **User port** analog output signals (pins 2 and 3) are scaled 0 V to 10 V. These signals are scalable from 0 V to 2V up to 0 V to 10 V in increments of 0.5 V. You can set the scaling through the **RS-232** port or the **PROFIBUS** port (see command 30 in [Table 4-16 on page 4-64](#)) or through the front panel menu commands (see [“Changing the Device Configuration Settings” on page 5-40](#)).

Note: Using lower output voltages decreases resolution.

These signals are driven by operational amplifiers capable of driving high-capacitance loads such as those expected in shielded interface applications. The user’s receiver must present a 10 k Ω (or higher) impedance to these signals. The readback signals represent the forward and reflected power as measured at the output of the CESAR generator.

Digital Inputs

Pins 4, 6, 8, and 10 are opto-coupled. The user’s signal drives the LED in the opto-coupler through a 4.7 k Ω resistor. A signal level of 4 V to 30 V applied to the input pin activates the signal.

Digital Outputs

The status signals provided by the generator (pins 14, 22, and 24) are opto-coupled with NPN transistor outputs. The collector and emitter of each transistor are provided to the **User** interface. Each transistor can provide a maximum of 8 mA of collector current and may be operated with a collector-to-emitter voltage of up to 30 V.

Pulse Input

The pulse input (pin 25) is a high-speed opto-coupled input. The user’s signal drives the LED in the opto-coupler through a 1.2 k Ω resistor. A signal level of 3 V to 12 V applied to the input pin activates the signal.

Interlock

The interlock signal (pins 10 and 23) enables the RF power generation. Pin 10 is tied to the generator’s +15 V supply. Connecting pin 10 to pin 23 closes the loop, enabling RF power.

25-PIN USER PORT WIRING DIAGRAMS

The following schematics illustrate how to properly connect the CESAR generator **User Port**. For detailed pin descriptions, see “[25-Pin User Port Pin Descriptions](#)” on page 4-14.

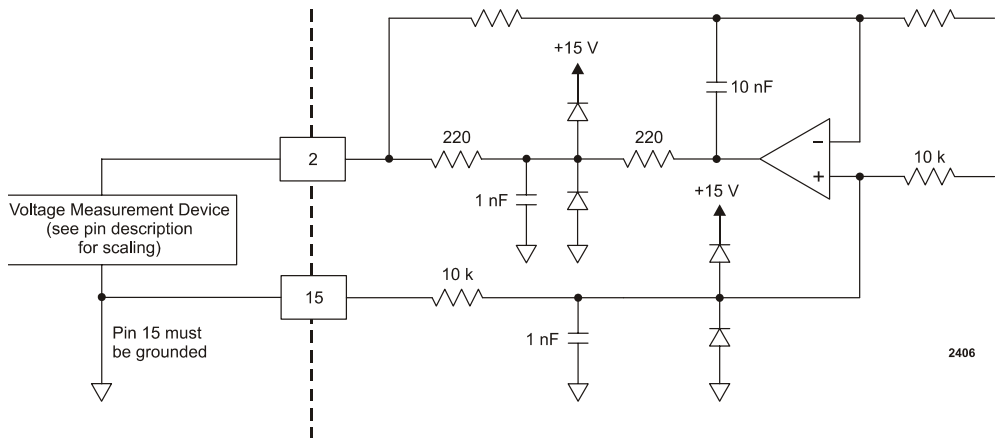


Figure 4-10. REFLECTED POWER MONITOR signal wiring (pins 2 and 15)

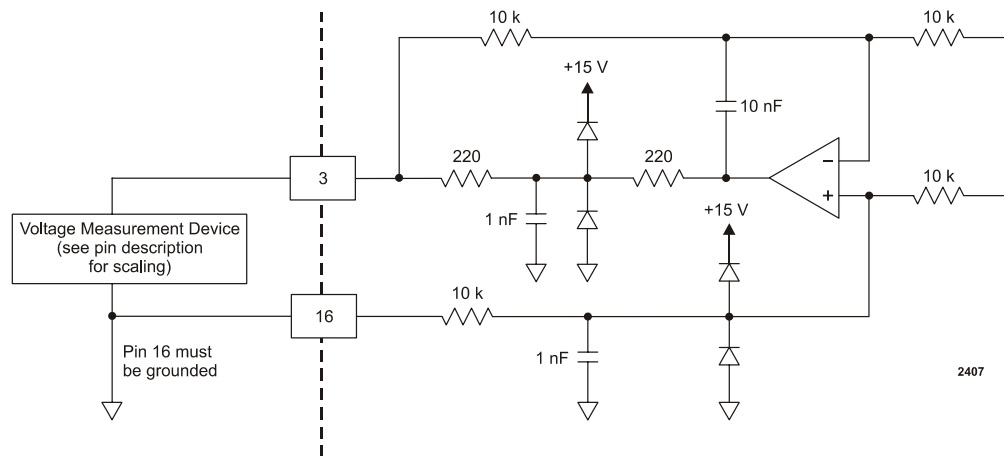


Figure 4-11. RF FORWARD/LOAD POWER MONITOR signal wiring (pins 3 and 16)

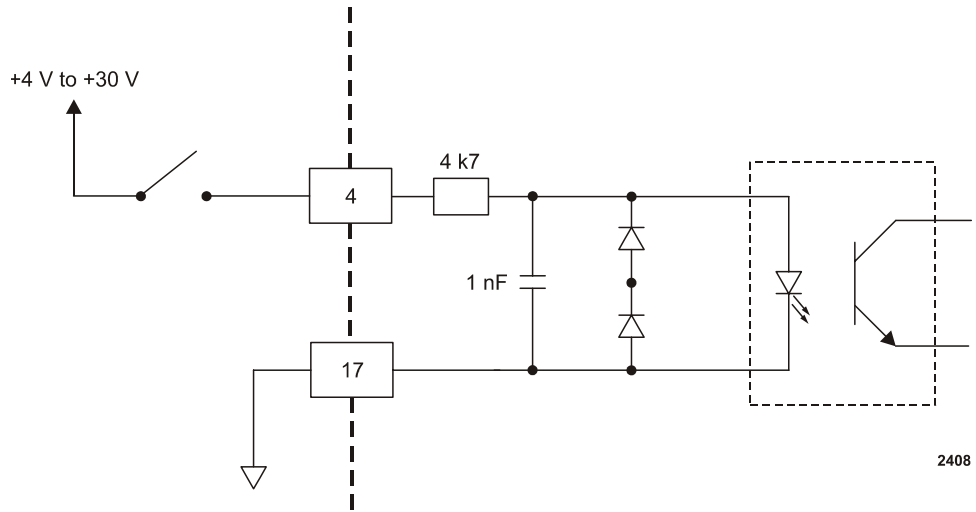


Figure 4-12. RF POWER ON signal wiring (pins 4 and 17)

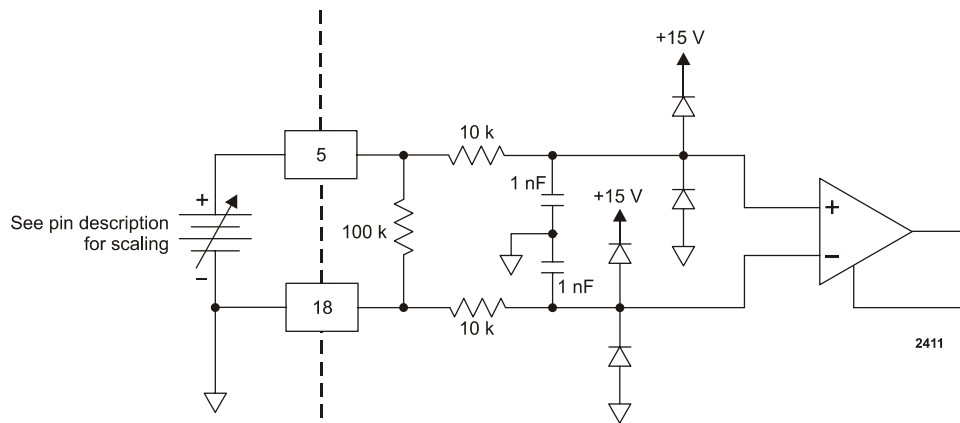


Figure 4-13. SET POINT signal wiring (pins 5 and 18)

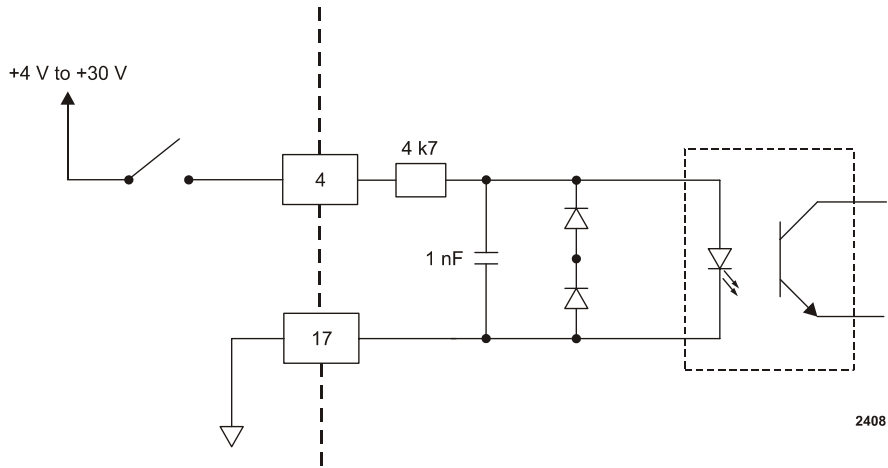


Figure 4-14. RF FORWARD POWER/DC BIAS REGULATION wiring (pins 6 and 19)

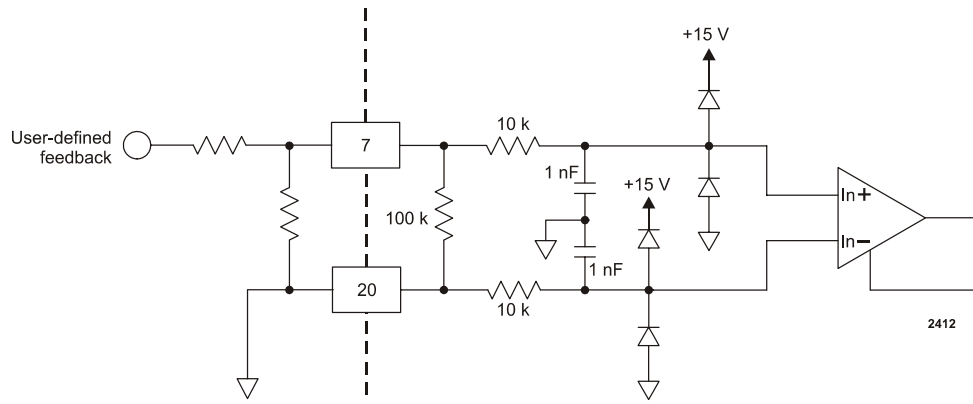


Figure 4-15. DC BIAS MONITOR signal wiring (pins 7 and 20)

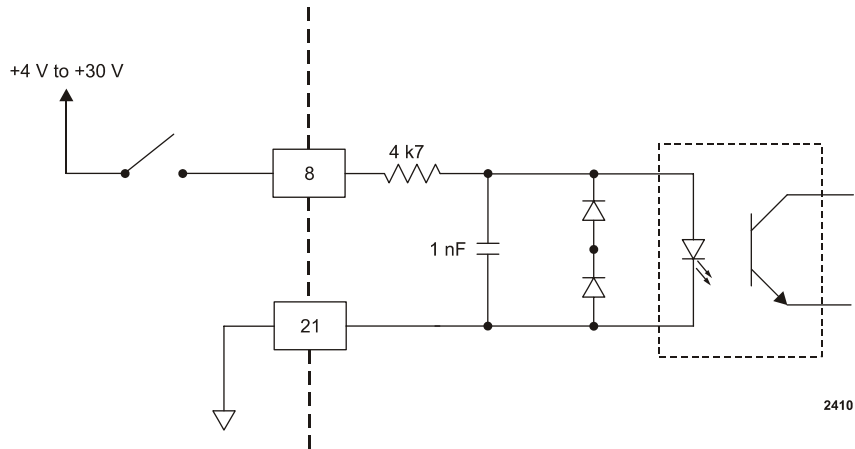


Figure 4-16. RF FORWARD/LOAD REGULATION signal wiring (pins 8 and 21)

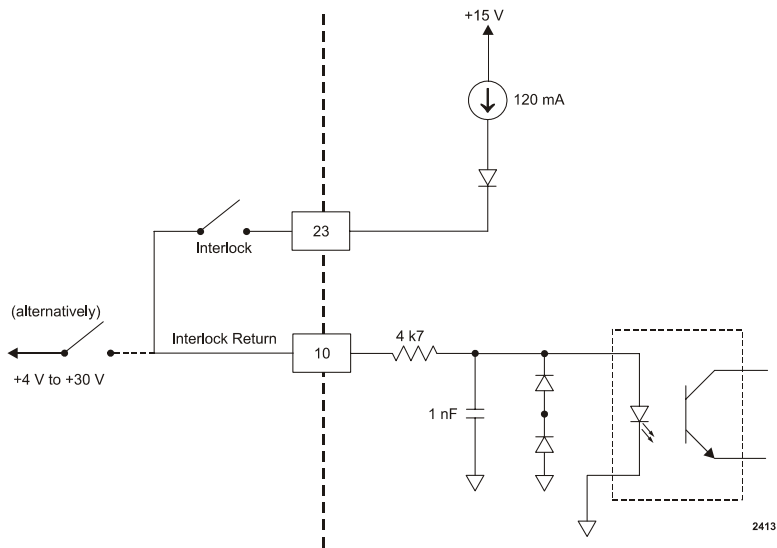


Figure 4-17. INTERLOCK LOOP signal wiring (pins 10 and 23)

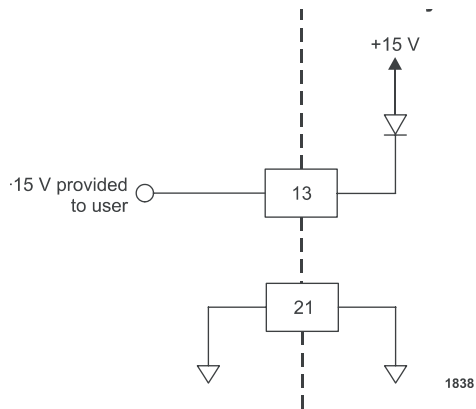


Figure 4-18. +15 VOLT DC signal wiring (pins 13 and 21)

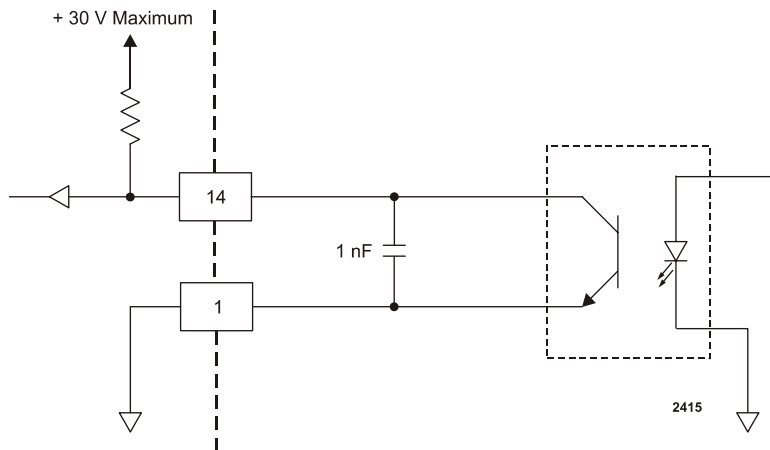


Figure 4-19. SET POINT STATUS signal wiring (pins 14 and 1)

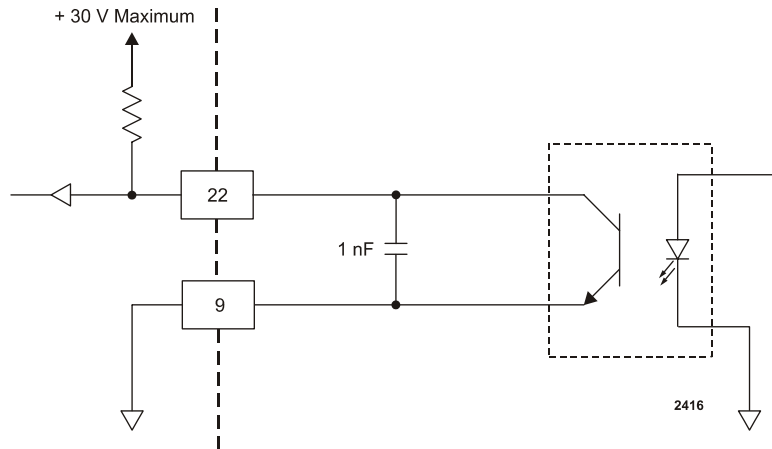


Figure 4-20. OVERTEMPERATURE signal wiring (pins 22 and 9)

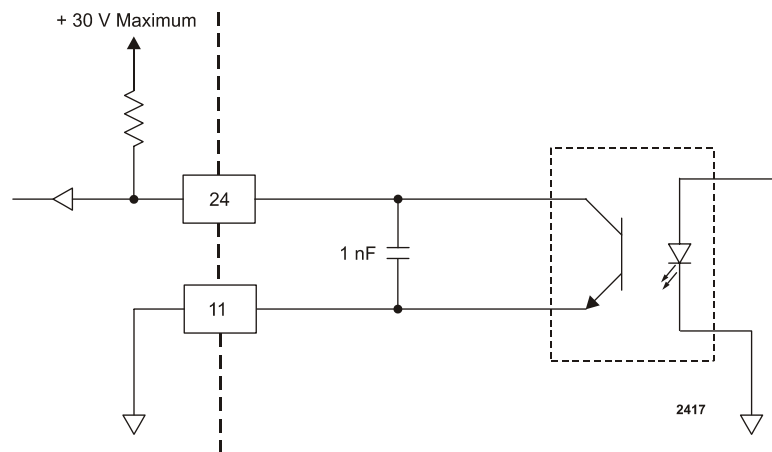


Figure 4-21. INTERLOCK SATISFIED signal wiring (pins 24 and 11)

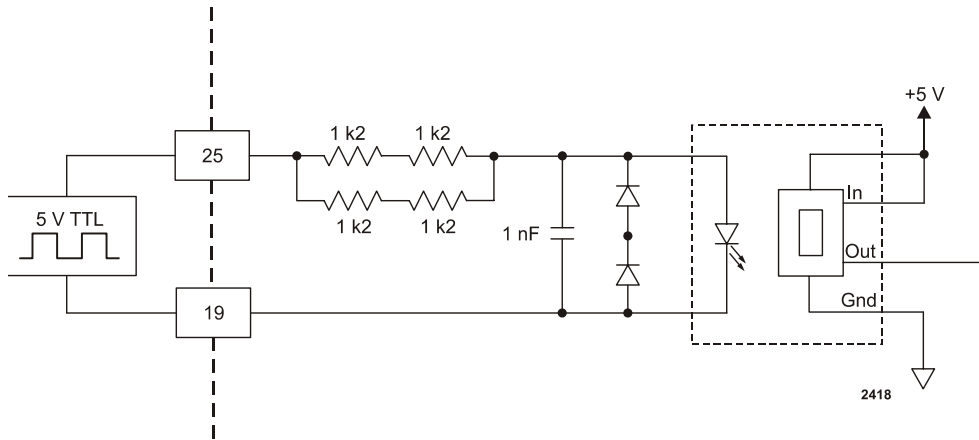


Figure 4-22. BLANKING/PULSING signal wiring (pins 25 and 19)

User Port—15-Pin User Port

This section describes the 15-pin **User Port**. For information on the 25-pin **User Port**, see “[User Port—25-Pin User Port](#)” on page 4-11.

Note: To determine which **User** port you have, see “[Understanding Model 136 Options](#)” on page 1-2.

The 15-pin **User Port** option offers basic control and monitoring capability. The 15-pin **User Port** has a shielded, male, subminiature-D connector (see [Figure 4-23](#)) that connects the generator with an external remote control unit.

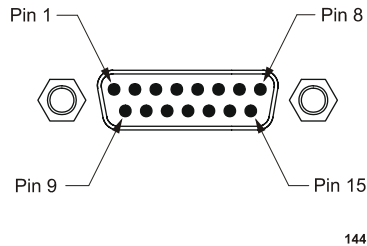


Figure 4-23. 15-pin User Port connector

SATISFYING THE INTERLOCK

Each CESAR generator with a 15-pin **User Port** also has an **Interlock** interface that allows you to integrate any CESAR generator into a system interlock loop that interrupts delivered RF power.



WARNING:

Dressler® HF-Technik GmbH's products only include interlocks and limits when required by product specification. Interlocks and limits in Dressler® HF-Technik GmbH products are *not* meant to meet or satisfy safety requirements. Where interlocks or limits exist, you must still meet and satisfy safety requirements. The presence of interlocks or limits does *not* imply operator protection.

Even if you do not connect the CESAR generator into a larger system interlock loop, you must make the proper connections for the unit to enable RF power.

The CESAR Generator may be shipped with an interlock jumper plug that provides a connection between the interlock pins. You can use this jumper plug to satisfy the interlock and enable operation in situations where you do not intend to connect the remaining pins on this port.



ATTENTION:

Using the interlock jumper plug disables the interlock function.

The **Interlock** interface is a 9-pin connector. [Figure 4-24](#) illustrates the connector, and [Table 4-3](#) describes each pin.

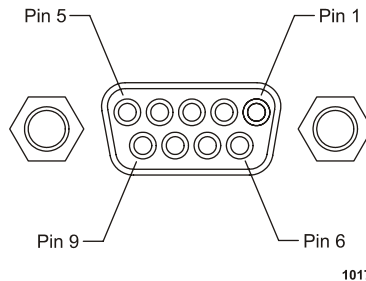


Figure 4-24. Interlock interface connector

Table 4-3. Interlock interface pin descriptions

Pin	Name	Reference Pin	Signal Type	Level	Description
1	<i>INTERLOCK INPUT (+)</i>	3	Input (floating)	5 V to 24 V	Contact closure to pin 2 via the user's external interlock loop. You may also provide a 5 VDC to 24 VDC signal referenced to pin 3 to satisfy the interlock
2	<i>INTERLOCK OUTPUT</i>	3	Output (floating)	15 V	Contact closure to pin 1 via the user's external interlock loop. This voltage output is floating and has no reference to ground.
3	<i>INTERLOCK RETURN (-)</i>		floating	0 V	This is the return pin for an external interlock signal. This pin must be used as return for the external interlock voltage, because the interlock input (pin 1) is floating and has no reference to ground.
4					Connect to the shield of the external interlock cable.

15-PIN USER PORT CABLING REQUIREMENTS

The cable used to connect the 15-pin **User Port** to the system controller must be a shielded, 15-wire I/O cable. Shielded twisted-pair wiring may be used but is not mandatory. Minimize signal losses by keeping the cable length as short as possible. The maximum recommended cable length between the generator and the controller is 10 meters (33 feet). To minimize interference from adjacent electrical equipment, the EMI shield in the cable must be terminated to the metal shells of the cable's connectors. Additionally, the chassis of the CESAR generator must be tied to a local earth ground through an adequately sized copper grounding strap. Unless otherwise specified, all analog signals are 0 V to 10 V while all digital signals are 5 V or $V_{\text{Interface}}$.

15-PIN USER PORT PIN DESCRIPTIONS

[Table 4-4](#) describes the connector pins for the 15-pin **User Port**.

Table 4-4. 15-pin User Port pin descriptions

Pin Number	Return Pin	Name	Signal Type	Description
1	8	<i>OPERATING MODE A</i>	Digital input	Connecting pin 1 and pin 2 to a high or low level allows you to set the regulation mode as indicated in Table 4-5 on page 4-36 . <i>Note:</i> A high level switches to Remote control. For a wiring diagram, see Figure 4-25 on page 4-37 .
2	8	<i>OPERATING MODE B</i>	Digital input	Connecting pin 1 and pin 2 to a high or low level allows you to set the regulation mode as indicated in Table 4-5 on page 4-36 . <i>Note:</i> A high level switches to Remote control. For a wiring diagram, see Figure 4-26 on page 4-37 .
3	8	<i>READY STATUS</i>	Digital output	This signal indicates that the generator is ready for operation. For a wiring diagram, see Figure 4-27 on page 4-38 .

Table 4-4. 15-pin User Port pin descriptions (Continued)

Pin Number	Return Pin	Name	Signal Type	Description
4	8	<i>ERROR</i>	Digital output	<p>This signal indicates an error such as overload due to temperature, mismatch, or an open interlock loop.</p> <p>To recover from such errors, see “Error description and resolution” on page 6-8.</p> <p>For a wiring diagram, see Figure 4-28 on page 4-38.</p>
5	8	<i>MAXIMUM RF POWER LEVEL REACHED</i>	Digital output	<p>This error message indicates that more RF power is demanded than available by the RF generator. This error may occur in the following situations:</p> <ul style="list-style-type: none"> • In DC Bias regulation mode, the RF power necessary for the desired DC Bias voltage may be higher than the generator is able to deliver. • In RF P_{real} power regulation mode, the forward power necessary for the load power may be higher than the generator is able to deliver. • The external pulsing frequency exceeds the limit. (For specifications, see RF pulse frequency in Table 3-2 on page 3-4.) <p>For information on resolving this error, see WW11, W12, and W13 in Table 6-2 on page 6-11.</p> <p>For a wiring diagram, see Figure 4-29 on page 4-39.</p>

Table 4-4. 15-pin User Port pin descriptions (Continued)

Pin Number	Return Pin	Name	Signal Type	Description
6	8	<i>RF ON</i>	Digital output	This signal enables or disables RF output when more than 1% of the nominal power is present. For a wiring diagram, see Figure 4-30 on page 4-39 .
7	8	<i>INTERFACE VOLTAGE</i>	Digital input	If no voltage is applied to pin 7, 5 V is the standard level for digital inputs and outputs. If you want any other level, an external voltage must be applied to pin 7 and will be used as supply voltage for the digital outputs at pin 3, 4, 5, and 6. The voltage range is 5 V to 24 V, with a maximum current of 300 mA, depending on the load at the outputs. For a wiring diagram, see Figure 4-31 on page 4-40 .
8		<i>GROUND</i>		Reference pin.
9	8	<i>BLANKING/ PULSE MODE</i>	TTL Input	Pulse signal input. A TTL square wave input that allows RF power blanking. Use this input if the internal pulsing capabilities do not meet your requirements. When external pulsing is not used, this input may be set up to switch between continuous wave operation and internal pulsing. This alternate function is enabled by changing the unit setting (see “To Change the Default Device Configuration Settings Using the CESAR Generator Front Panel:” on page 5-41). For a wiring diagram, see Figure 4-32 on page 4-40 .

Table 4-4. 15-pin User Port pin descriptions (Continued)

Pin Number	Return Pin	Name	Signal Type	Description
10	8	<i>RF POWER ON</i>	Digital input	This signal allows you to enable or disable RF power. For a wiring diagram, see Figure 4-33 on page 4-41 .
11	8	<i>DC BIAS SET POINT</i>	Analog input	This signal provides a linearly scaled setting to the DC bias voltage. The default range is 0 V to 10 V, but you can change this range (see “Analog Inputs” on page 4-21) 0 V to 10 V = 0 V to maximum DC bias (4000 V default maximum value) For a wiring diagram, see Figure 4-34 on page 4-41 .
12	8	<i>RF POWER SET POINT</i>	Analog input	This signal provides a linearly scaled setting to the RF forward power. The default range is 0 V to 10 V, but you can change this range (see “Analog Inputs” on page 4-21) For example, 5 V = 50% of the nominal generator power; 10 V = 100%. For a wiring diagram, see Figure 4-35 on page 4-42 .
13	8	<i>TEST VOLTAGE FOR FORWARD POWER</i>	Analog output	This signal provides a linearly scaled readback of RF forward power as measured at the generator output. The default range is 0 V to 10 V, but you can change this range (see “Analog Outputs” on page 4-22) 0 V to 10 V = 0 W to “XXX kW” For a wiring diagram, see Figure 4-36 on page 4-42 .

Table 4-4. 15-pin User Port pin descriptions (Continued)

Pin Number	Return Pin	Name	Signal Type	Description
14	8	TEST VOLTAGE FOR REFLECTED POWER	Analog output	<p>This signal provides a linearly scaled setting to reflected power as measured at the generator output. The default range is 0 V to 10 V, but you can change this range (see “Analog Outputs” on page 4-22)</p> <p>For example, 5 V = 50% of the nominal generator power; 10 V = 100%.</p> <p>For a wiring diagram, see Figure 4-37 on page 4-43.</p>
15	8	TEST VOLTAGE FOR DC SELF BIAS	Analog output	<p>This signal provides a linearly scaled setting to DC self bias voltage as measured at the matching network. The default range is 0 V to 10 V, but you can change this range (see “Analog Outputs” on page 4-22)</p> <p>For example, 5 V = 50% of the nominal DC bias (4 kV); 10 V = 100%.</p> <p>For a wiring diagram, see Figure 4-38 on page 4-43.</p>

Table 4-5. Setting regulation mode with 15-pin User Port pins 1 and 2

Operating Mode A (Pin 1)	Operating Mode B (Pin 2)	Control Setting	Description
Low	Low	Local	No remote control function
Low	High	Remote	RF forward power (P_{forward})
High	Low	Remote	External power (DC Bias)
High	High	Remote	Load power (P_{real})

15-PIN USER PORT WIRING DIAGRAMS

The following schematics illustrate how to properly connect the CESAR generator 15-pin **User Port**. For detailed pin descriptions, see [Table 4-4](#).

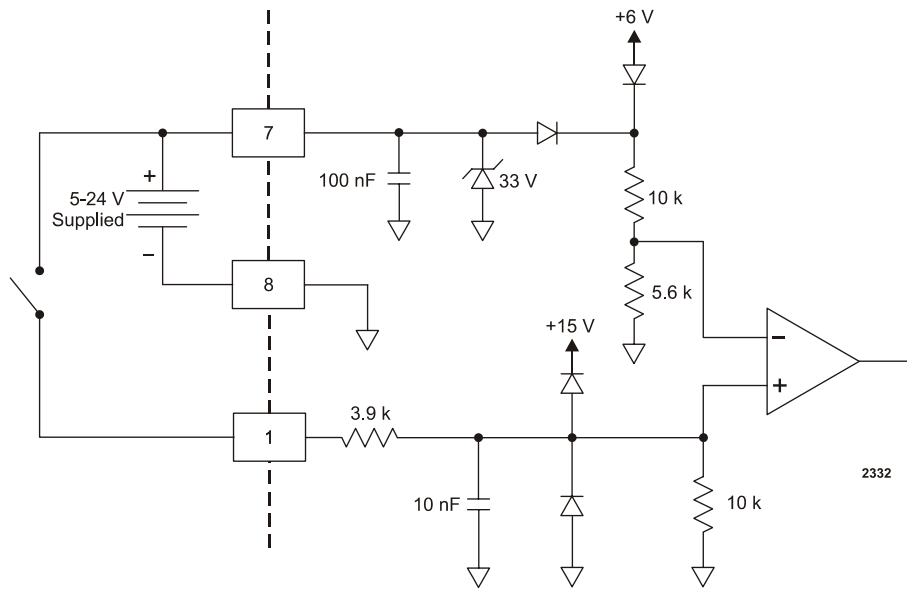


Figure 4-25. OPERATING MODE A wiring diagram (pins 1 and 8)

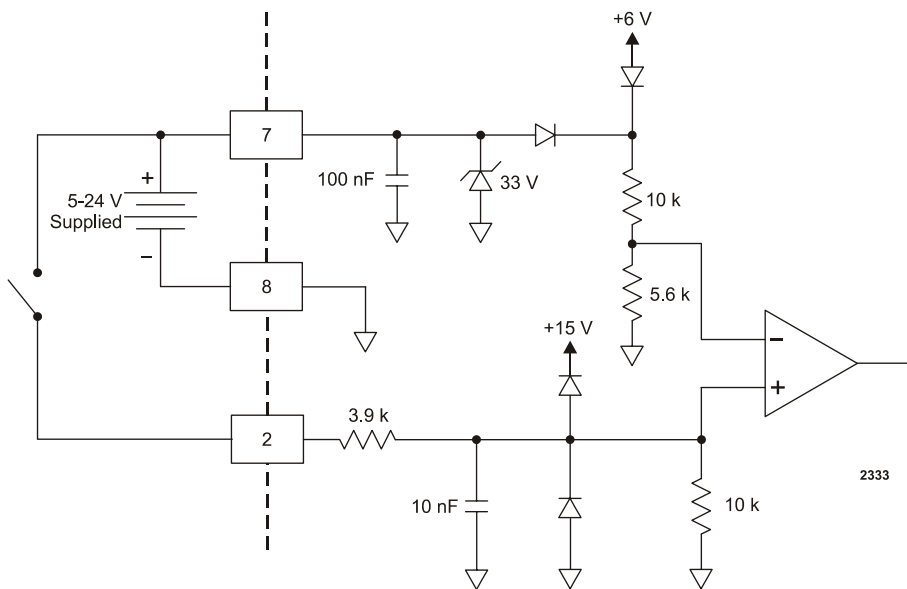


Figure 4-26. OPERATING MODE B wiring diagram (pins 2 and 8)

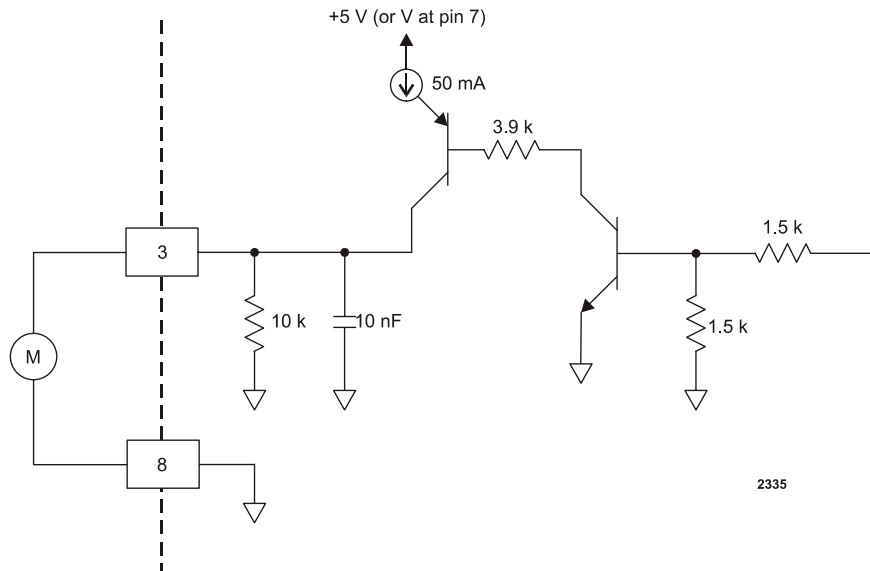


Figure 4-27. READY STATUS wiring diagram (pins 3 and 8)

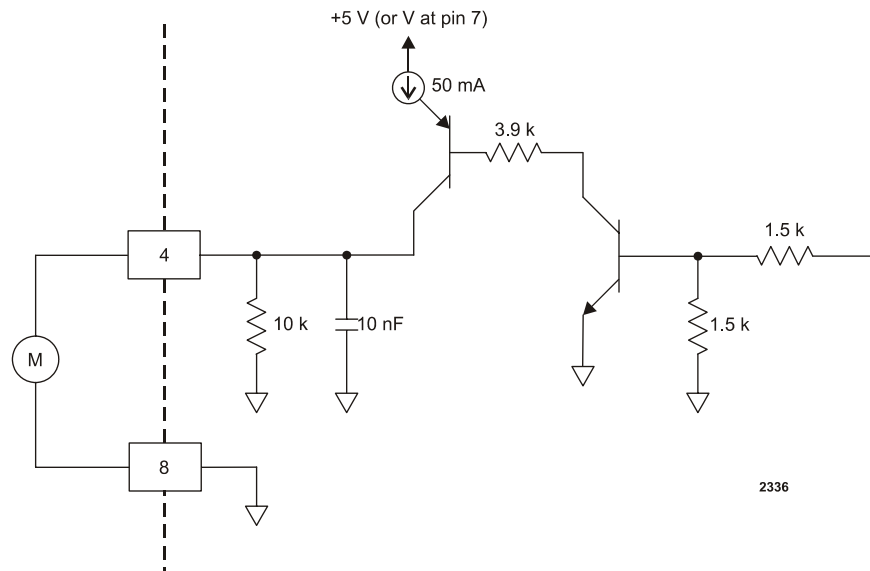


Figure 4-28. ERROR wiring diagram (pins 4 and 8)

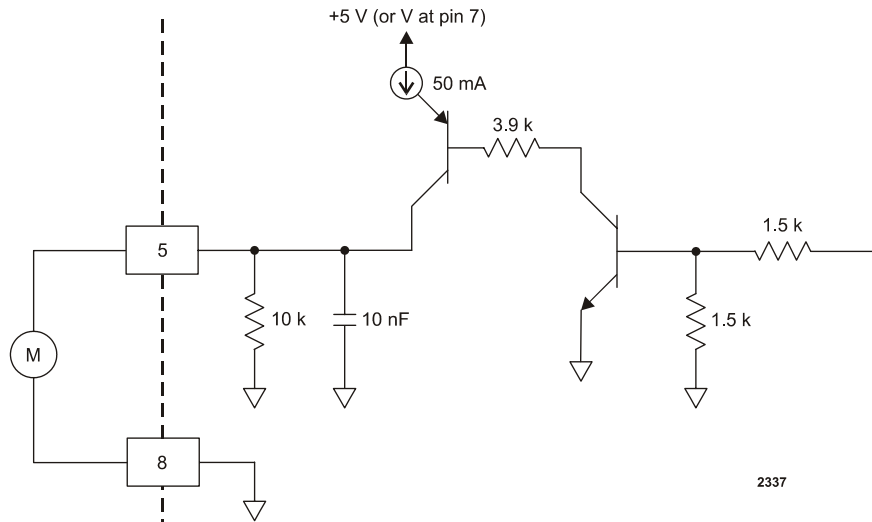


Figure 4-29. MAXIMUM POWER LEVEL REACHED wiring diagram (pins 5 and 8)

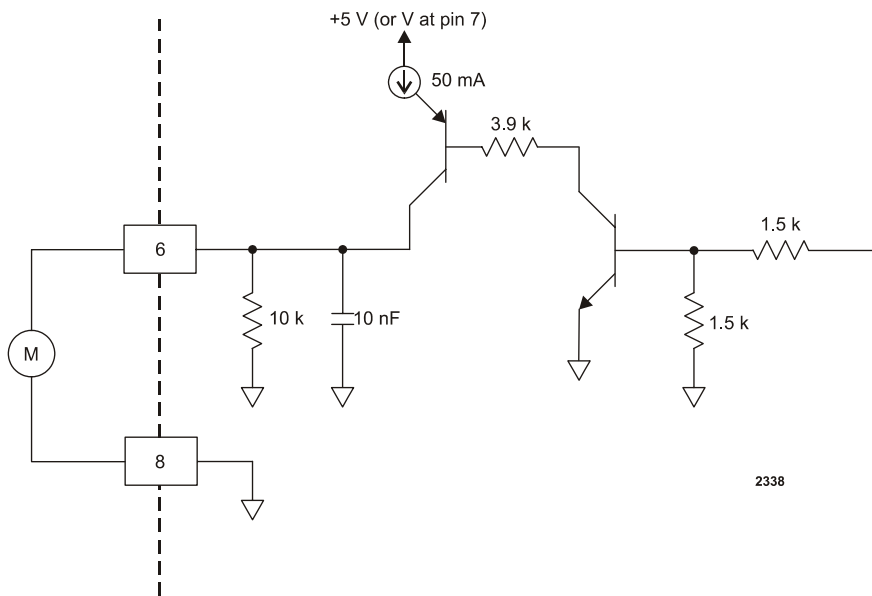


Figure 4-30. RF ON wiring diagram (pins 6 and 8)

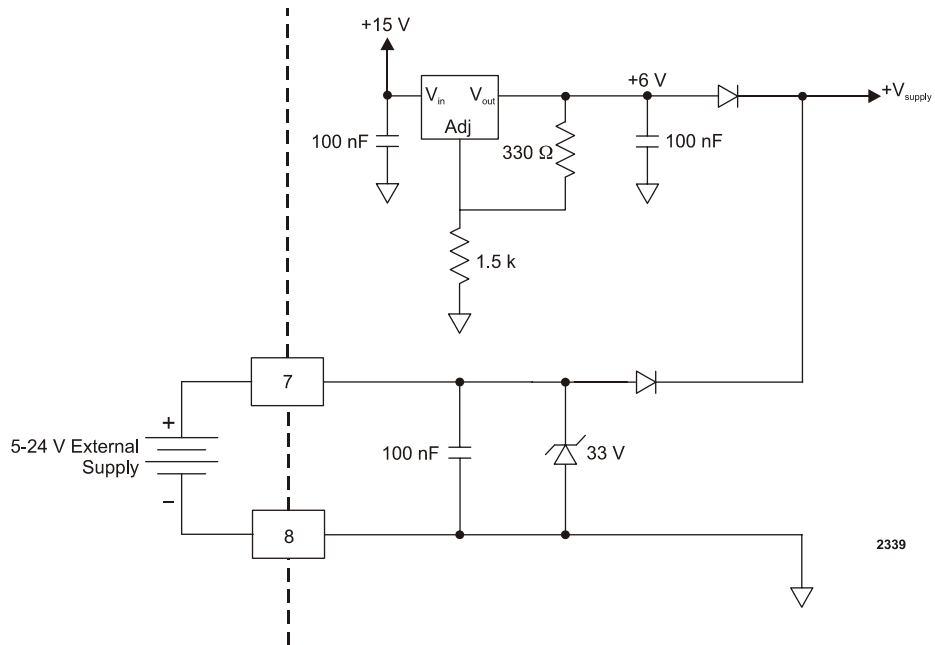


Figure 4-31. INTERFACE VOLTAGE wiring diagram (pins 7 and 8)

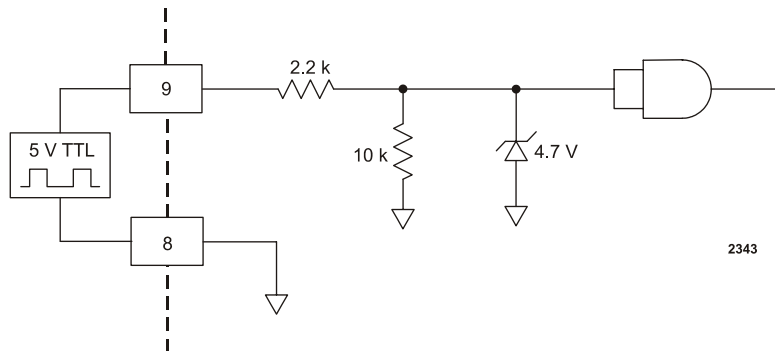


Figure 4-32. BLANKING/PULSING MODE wiring diagram (pins 9 and 8)

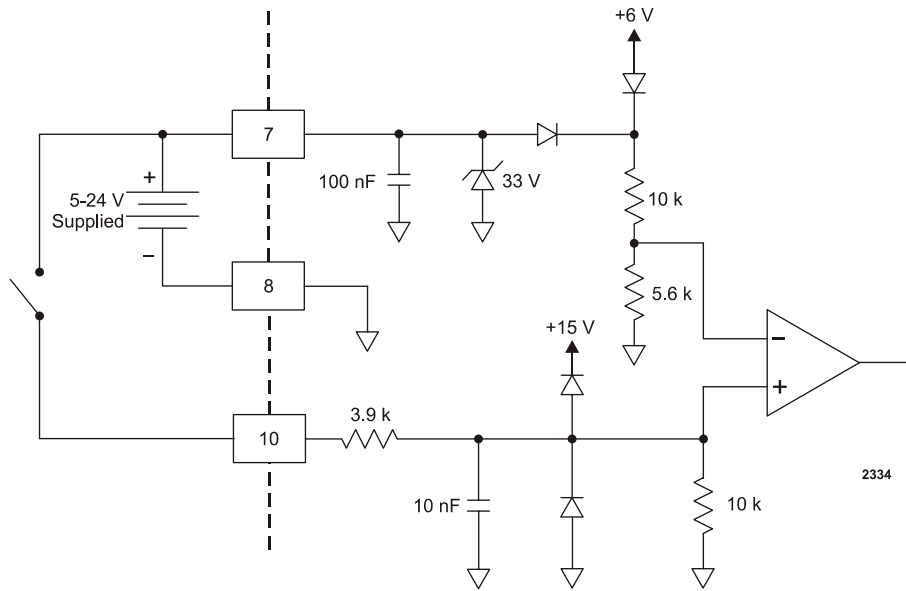


Figure 4-33. RF POWER ON wiring diagram (pins 10 and 8)

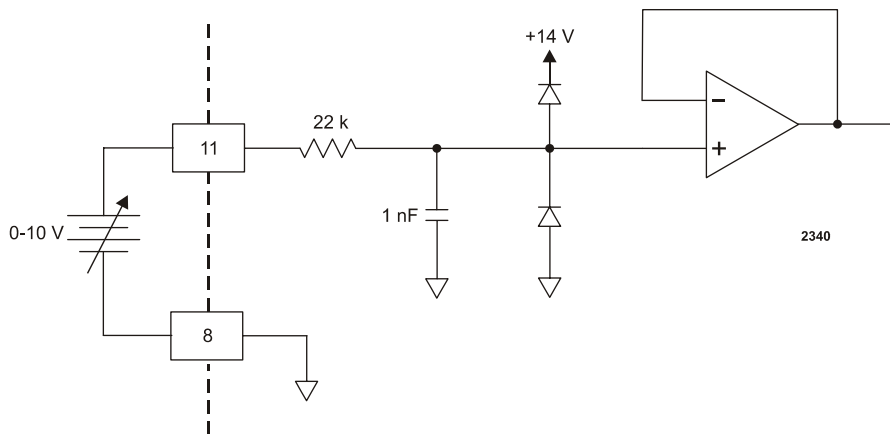


Figure 4-34. DC BIAS SET POINT wiring diagram (pins 11 and 8)

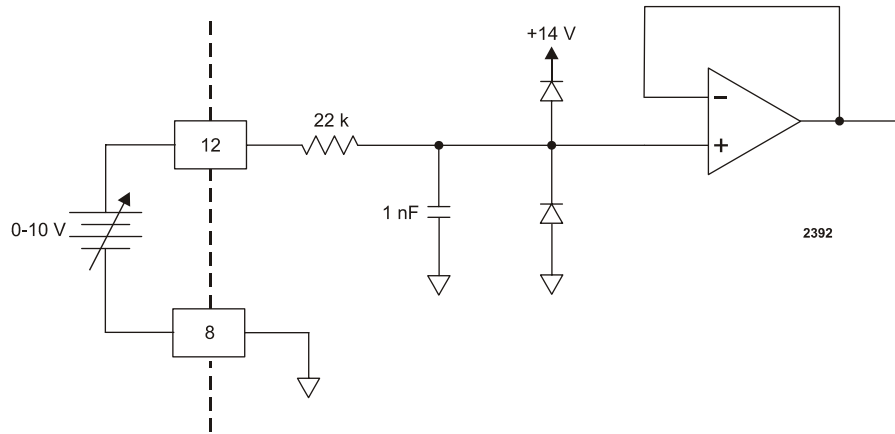


Figure 4-35. RF POWER SET POINT wiring diagram (pins 12 and 8)

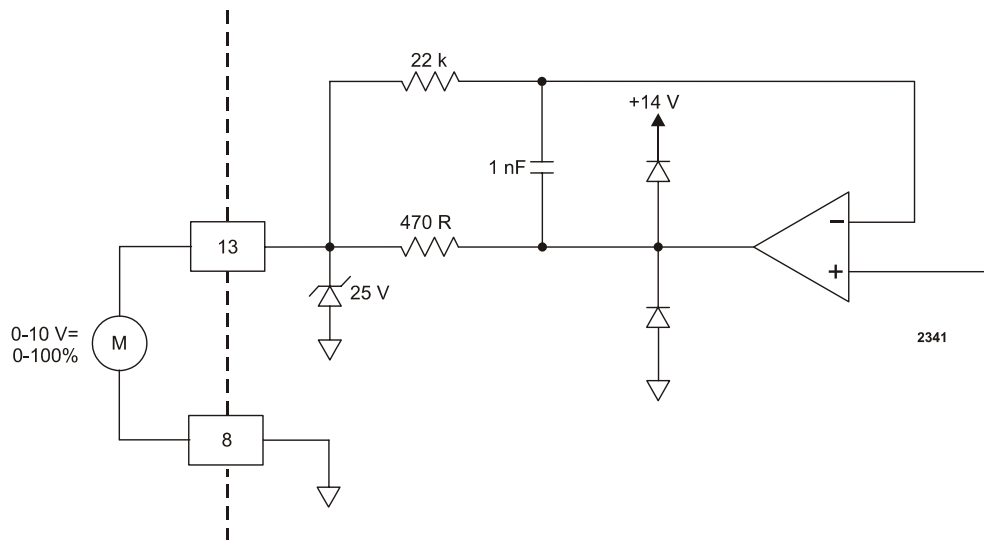


Figure 4-36. TEST VOLTAGE FOWARD POWER wiring diagram (pins 13 and 8)

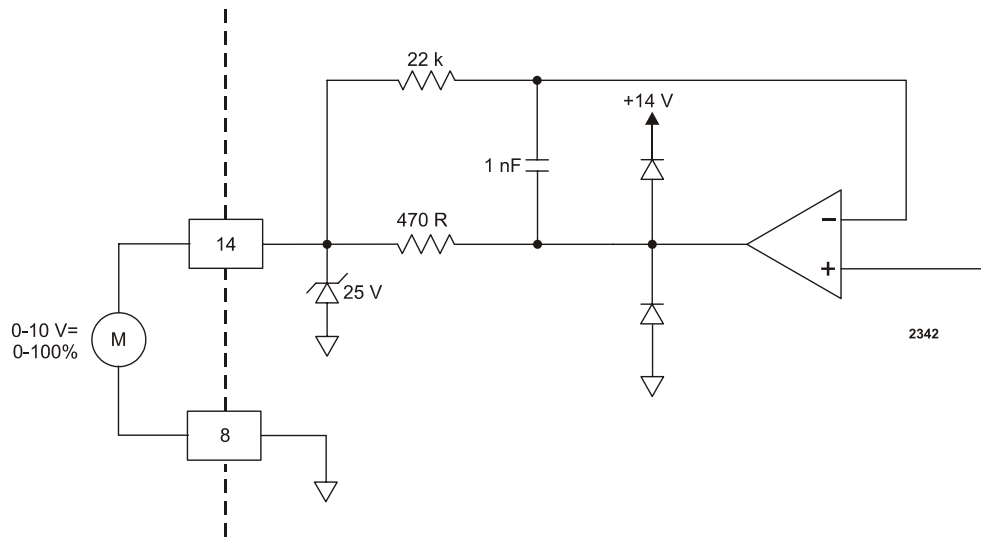


Figure 4-37. TEST VOLTAGE REFLECTED POWER wiring diagram (pins 14 and 8)

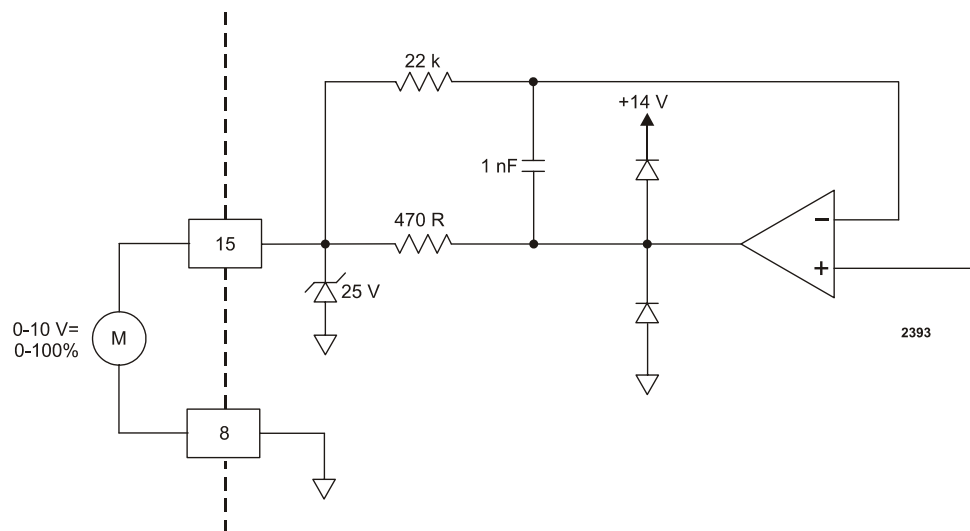


Figure 4-38. TEST VOLTAGE FOR DC BIAS wiring diagram (pins 15 and 8)

CESAR GENERATOR HOST PORT OPTIONS

The CESAR generator has three serial communications (host port) interface options that allow the generator to interface with a host computer. The following sections provide information for each of the host port options available with the CESAR generator.

- “Host Port—RS-232 With AE Bus” on page 4-44

- [“Host Port—PROFIBUS” on page 4-51](#)
- [“Host Port—Ethernet \(Modbus/TCP\)” on page 4-57](#)

Note: To determine which host port option you have, see [“Understanding Model 136 Options” on page 1-2](#).

The host port commands are very similar for all interfaces. All host port commands are listed and described in [“Host Port Commands” on page 4-62](#).

Host Port—RS-232 With AE Bus

This section describes the **RS-232** host port. For information on the **PROFIBUS** host port, see [“Host Port—PROFIBUS” on page 4-51](#). For information on the **Ethernet** host port, see [“Host Port—Ethernet \(Modbus/TCP\)” on page 4-57](#).

Note: To determine which option you have, see [“Understanding Model 136 Options” on page 1-2](#).

The **RS-232** AE Bus host port interface uses an RS-232 signal format and AE Bus communication protocol. Refer to [“AE Bus Protocol”](#) for details on the communications protocol.

For a complete list of available functions, see [“Host Port Commands” on page 4-62](#).

RS-232 CONNECTOR AND PIN DESCRIPTIONS

Located on the rear panel of the CESAR generator, the serial **RS-232** host port connector is a 9-pin, female, shielded, subminiature-D connector for interfacing with a host computer.

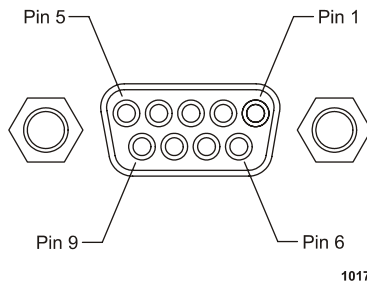


Figure 4-39. RS-232 host connector

Table 4-6. RS-232 host pin descriptions

Signal Pin	Name	Description
1	<i>NO CONNECTION</i>	Reserved for future use
2	<i>TXD</i>	RS-232 transmit data
3	<i>RXD</i>	RS-232 receive data
4	<i>NO CONNECTION</i>	Reserved for future use
5	<i>COM</i>	Data common
6	<i>NO CONNECTION</i>	Reserved for future use
7	<i>NO CONNECTION</i>	Reserved for future use
8	<i>NO CONNECTION</i>	Reserved for future use
9	<i>NO CONNECTION</i>	Reserved for future use

RS-232 TRANSMISSION PARAMETERS

The communications capability of the serial **RS-232** host port is limited to the following parameters:

- RS-232 protocol transmission standard
- Five baud rates selected on the front panel (see [“Changing the Device Configuration Settings”](#) on page 5-40):
 - ▶ 9600
 - ▶ 19200
 - ▶ 38400

- ▶ 57600
- ▶ 115200
- Odd parity
- One start bit, eight data bits, one stop bit
- Low-order bytes are transmitted before high-order bytes.

The host computer must finish one transaction with the CESAR generator before it initiates another one, either with the same unit or any other unit.

Note: The CESAR generator sends data through pin 2 (*TXD.D*). This pin must be connected to the receive pin (*RXD.D*) on the host computer's serial connector. The receive pin is normally pin 2 for a standard, 9-pin serial port and normally pin 3 for a standard, 25-pin serial port.

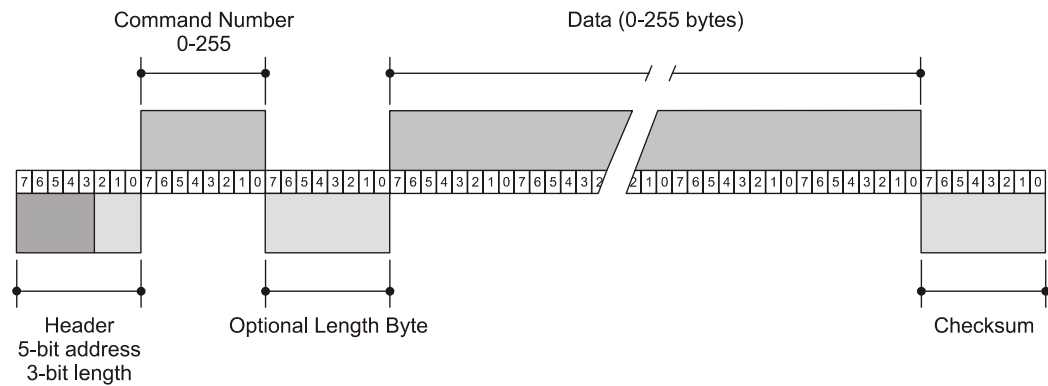
AE BUS PROTOCOL

The AE Bus protocol uses pure binary data (nothing is coded in ASCII) and is designed to facilitate direct communications between a host computer and the CESAR generator.

The AE Bus message packet combines a set quantity of bits and bytes in such a way that groups of information can be sent over communications lines at one time. Five types of information (fields) make up communications message packets (see [Figure 4-40](#)):

- Header (address and the length of Data field)
- Command Number (commands are listed in [Table 4-16 on page 4-64](#))
- Optional Length byte
- Data
- Checksum

Figure 4-40 shows the organization of these fields in the AE Bus message packet. The subsequent paragraphs describe each field in detail.



1138

Figure 4-40. Graphic representation of a message packet

AE Bus Header Byte

The first byte in each packet contains two pieces of information: five bits contain the packet address, and three bits contain the data byte count. If the message packet originates with the host computer (master), the address specifies the packet destination (to a CESAR generator, for example). If the packet is going to the **Host**, the address specifies the packet origin (from the CESAR generator). The address section of the Header field is five bits long (bits 3-7), which allows a total of 32 distinct addresses. Address 0 (zero) is reserved for the network broadcast address; when this address is used in a **Host**-originated packet, all units execute the packet (but do not respond to the host).

The remaining three bits (bits 0, 1, and 2) are the length bits. These bits tell the receiving unit how long the Data field is so that the unit can determine when it has received the entire message. If the Data field contains more than six bytes, the value of these three bits will be set to 7 (07h), and the Optional length byte field will contain a value indicating the number of data bytes in the Data field.

Note: The value of these bits refers only to the number of actual data bytes in the Data field. Do not include the checksum byte when calculating the value for these bits (see “[AE Bus Checksum Byte](#)” on page 4-48).

AE Bus Command Number Byte

This one-byte field contains an 8-bit value from 0 to 255 (00h to ffh) representing the command number. If the message packet originates with the host computer, this value specifies the purpose of the message packet. If the

message originates with the CESAR generator, the value specifies the command to which it is responding. See [“Host Port Commands” on page 4-62](#) for a complete list of commands.

AE Bus Optional Length Byte

This field supplements the Header field and exists only when the length bits (bits 0, 1, and 2) in the Header field contain a value of 7 (07h). If the number of data bytes in the Data field is six or less, then the three length bits in the Header field are sufficient to represent this amount 0 to 6 (00h to 06h). Since the Data field may contain up to 255 bytes of information, the Optional Length byte is required when the Data field is larger than six bytes.

When the Data field is larger than six bytes, the length bits in the header (bits 0, 1, and 2) will equal 7 (07h), and the Optional Length byte will contain a one-byte value, from 7 to 255 (07h to ffh), representing the number of data bytes in the Data field.

AE Bus Data Bytes

The Data field may contain from 0 to 255 bytes of binary data. This field contains command-related data or a command status response (CSR). Since some commands do not require data, sometimes the Data field is not present.

If the value specified in the length bits (bits 0, 1, and 2) of the Header field is 0 to 6, the CESAR generator expects zero to six data bytes. However, if the value in the Header field is 7 (07h), the CESAR generator looks for the Optional Length byte after the Command field and reads this value to calculate the data byte count.

Unless otherwise specified for individual commands, any value greater than one byte must be sent and received least significant byte (LSB) first. For example, if a command contained 7 data bytes made up of one 8-bit value, one 16-bit value, and one 32-bit value, the 7 data bytes would be sent in the following order:

0, 2, 1, 6, 5, 4, 3 (0 = 8-bit value, 2 and 1 = 16-bit value, 6 through 3 = 32-bit value).

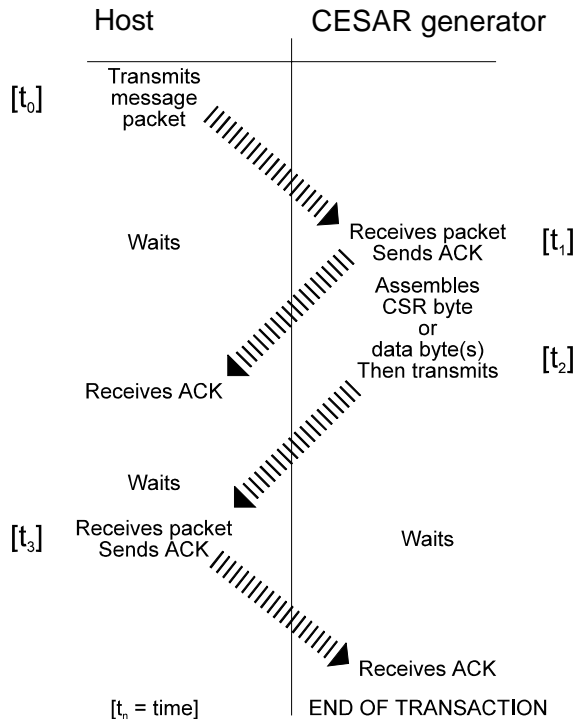
AE Bus Checksum Byte

This one-byte field is the last byte in the packet. The value of this byte depends upon the number of bytes in each of the preceding fields. The transmitting unit determines this value by accumulating the *exclusive-or* (XOR) of all bytes of the packet up to, but not including, the checksum value. The receiving unit accumulates the XOR of all bytes of the packet, including the checksum. If the result is zero, the unit has received the packet intact.

The unit will act on the message *only* if the address is valid and the checksum is validated as having no parity errors.

CREATING AN IDEAL COMMUNICATIONS TRANSACTION

Figure 4-41 illustrates the steps in an ideal communications transaction between a host computer and the CESAR generator.



1139

Figure 4-41. AE Bus communications transaction

T_0 : Host Transmits Message Packet

The host computer sends a message packet to the CESAR generator. The packet contains one of the following:

- A command that requests data or status information
- A command and data that change a parameter setting
- An executable command

T_1 : Unit Verifies Host Transmission Packet

Once the CESAR generator receives the host computer transmission message packet, the CESAR generator verifies that the message is intended for it and not for another unit on the network. At this time, the CESAR generator also analyzes the checksum to verify that the message was received correctly.

- If the address does not match, the CESAR generator does not respond to the host computer; the CESAR generator resets and resumes waiting for a message addressed to it. If the address matches but the *exclusive-or* (XOR) sum of the bytes in the packet (including the checksum) is not zero, the CESAR generator sends a negative acknowledgment (NAK), hexadecimal 15h, to the host computer.
- If the address matches and the message is intact, the CESAR generator sends an acknowledgment (ACK), hexadecimal 06h, to the host computer.

If the CESAR generator receives a request for data or status information, it gathers and sends the requested information. Otherwise, it evaluates the incoming command and sends a message packet that contains a one-byte data value (CSR code) to the **Host** (see [“Host Port Command Status Response \(CSR\) Codes” on page 4-63](#)). CSR code 0 is sent when the command has been accepted.

If the **Host** receives a NAK (15h) from the CESAR generator, the **Host** either retransmits the packet or does whatever else it has been programmed to do in this situation. If the **Host** receives an ACK (06h), it waits for the requested data or status information, or it waits for the CSR code telling it whether or not the new parameter was accepted. If the **Host** receives no response within a reasonable period, it takes whatever action it has been programmed to take.

T₂: Unit Transmits Response to Host

The CESAR generator prepares a response packet with the requested information or appropriate CSR code, which it then transmits to the host computer. The host computer then determines, by means of the checksum, if the response packet is complete. If the host computer detects an error in the transmission (the checksum is not validated), it can request the packet be sent again by transmitting a NAK (15h).

T₃: Host Acknowledges Unit Response

If the CESAR generator receives an ACK (06h) from the host computer, it returns to the normal waiting state. If the CESAR generator receives a NAK (15h) from the host computer, the CESAR generator retransmits the response packet. The CESAR generator continues to retransmit in response to NAK transmissions until the host computer stops the cycle. If the CESAR generator receives no response, it assumes an ACK and returns to the waiting state.

AE Bus Communications Transaction Example

Figure 4-42 illustrates the steps in an example communications transaction between a host computer and a CESAR generator.

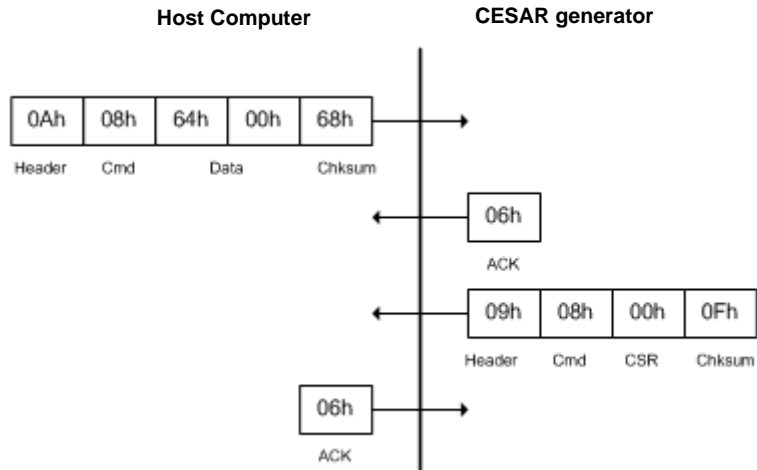


Figure 4-42. Communications transaction example

Host Port—PROFIBUS

This section describes the **PROFIBUS** host port. For information on the **RS-232** host port, see “Host Port—RS-232 With AE Bus” on page 4-44. For information on the **Ethernet** host port, see “Host Port—Ethernet (Modbus/TCP)” on page 4-57.

Note: To determine which option you have, see “Understanding Model 136 Options” on page 1-2.

The **PROFIBUS** host port on the CESAR generator consists of a 9-pin, female, subminiature-D connector, two status LEDs, and two rotary address switches located beside the connector. This section describes the **PROFIBUS** status LEDs, pins, and communication protocol. It also includes a list and description of the **PROFIBUS** commands.

Note: Dressler’s **PROFIBUS** protocol does not support the following functions: address changing, freeze/unfreeze modes, or sync modes.

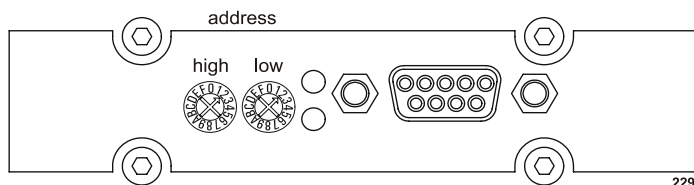


Figure 4-43. PROFIBUS port connector

PROFIBUS CONNECTOR AND PIN DESCRIPTIONS

Table 4-7 provides descriptions for the **PROFIBUS** port pins.

Table 4-7. PROFIBUS Host port pins

Signal Pin	Name	Description
1	UNASSIGNED	
2	UNASSIGNED	
3	A	Data bus A
4	UNASSIGNED	
5	ISOLATED GND	Isolated ground
6	ISOLATED +5 V	Isolated +5 V
7	UNASSIGNED	
8	B	Data bus B
9	UNASSIGNED	

PROFIBUS PROTOCOL

PROFIBUS (Process Field Bus) is an interface that lets you communicate with the CESAR generator from a host (master). Dressler manufactures a certified PROFIBUS, which means the interface is tested and certified to work with PROFIBUS masters described in the DIN 19245 PROFIBUS Standard DP, part III. Any PROFIBUS master that complies with this standard can communicate with Dressler's certified PROFIBUS.

The **PROFIBUS** connection on the CESAR generator is a 9-pin, female, subminiature-D connector on the rear panel. The following sections describe the **PROFIBUS** protocol. Please note that Dressler's **PROFIBUS** protocol does not support the following functions: address changing, freeze/unfreeze modes, or sync modes.

PROFIBUS Type Files (GSD Files)

Type files are computer files that some Programmable Logic Controllers (PLCs) use to compile PROFIBUS programs. These files are device-specific and contain information on features found in that device. Thus, a different type file should be defined for each PROFIBUS device.

For older Siemens® PROFIBUS PLCs, the type file is proprietary to Siemens Energy & Automation® (SE&A®); hence, SE&A must create the type file. Newer PROFIBUS PLCs use a non-proprietary equivalent of a “type file,” generally referred to as a “GSD file.”

The GSD file for your CESAR generator is available on the user manual CD that came with your unit. You can also download the GSD file from www.dressler.com.

Setting the Unit's PROFIBUS Network Address

Use the rotary address switches next to the **PROFIBUS** port on the rear panel to set the CESAR generator's address. Allowable addresses are numbers between 0 and 126, selected in hex format.

To enter the unit's address, set the switch positions for hex representation. The following example demonstrates switch settings for an address of 12: 0 C = 0x0Ch = 12.

Note: The unit's address can only be changed from the **PROFIBUS** master if the hardware address is above 126.

PROFIBUS Termination

Please ensure that you follow proper termination procedures if your CESAR generator is the last slave on the **PROFIBUS** cable. The termination resistors should be on the connector housing of the **PROFIBUS** cable (not included).

PROFIBUS Baud Rate

The auto-baud feature of Dressler's certified **PROFIBUS** interface adjusts automatically to the rate of the PROFIBUS master system. Baud rates are available in discrete steps from 9600 bits (9.6 kbits) to 12 Mbits. The auto-baud feature operates much like a modem or FAX machine in that, at startup, there is a small delay while the interface *traverses* the different baud rates and then locks in. Please ensure that your PROFIBUS master allows for this delay.

PROFIBUS Status LEDs

The PROFIBUS LEDs (light-emitting diodes) on the rear panel consist of two status LEDs to indicate whether the PROFIBUS system is operating properly. See [Figure 4-43](#).

[Figure 4-8](#) describes the LED states and associated PROFIBUS status.

Table 4-8. PROFIBUS status LEDs

LED	Indication	Unit Status
Green (steady)	Operational	The PROFIBUS system is ready and operational.

Table 4-8. PROFIBUS status LEDs (Continued)

LED	Indication	Unit Status
Red (steady)	Off	The PROFIBUS system is off or unavailable.
Red (flashing)	Error	The PROFIBUS system is currently in a stop or clear condition, exchanging data, or in an error recovery sequence. See “PROFIBUS-Specific Errors” on page 4-54

PROFIBUS Master Reset Command

Send the master reset command, **Command 119**, when the CESAR generator supply has experienced a non-recoverable (“explicit clear”) fault (that is, a configuration fault or a PROFIBUS error fault). Dressler recommends sending this command upon the startup of PROFIBUS communications so that any existing fault indications will be cleared.

PROFIBUS-Specific Errors

In the event of a PROFIBUS error, the CESAR generator turns off output power and sets the PROFIBUS fault status bit. All PROFIBUS errors are treated as “explicit clear” type faults; thus, you must send **Command 119** (the “master reset” command) in the next download packet to clear them. Once all faults have been cleared, the CESAR generator is ready to continue operation.

PROFIBUS Data Consistency

Some Programmable Logic Controllers (PLCs) using PROFIBUS interfaces have a problem with *data consistency*. (Dressler defines data consistency as the ability to complete the message packet construction before sending the packet to the CESAR generator.) This problem most often manifests as mysteriously changed values. That is, values at the CESAR generator seem to have changed automatically even though no command has executed, or the values appear changed because one data byte contained the data that another data byte should have contained.

The root of the problem is a shared memory block. Most PLCs share a memory block with the **PROFIBUS** interface. The PLC places data/packet information in the memory block, and the **PROFIBUS** interface reads the memory block for the next data/packet to transmit. The problem occurs when the PLC updates the data from High to Low memory locations and does not signal the **PROFIBUS** interface when the update is complete. (If the PLC were

to notify the **PROFIBUS** interface, then there would be “data consistency.”) As a result, the **PROFIBUS** interface sends the memory block regardless of where the PLC is in its update of that memory block.

You can create a *work around* to this problem with a command sequence. (For more information about **PROFIBUS** commands, see [“Host Port Commands” on page 4-62.](#)) Here is an example procedure:

1. Send the null command (command **0**). The CESAR generator ignores this command.
2. Update the download packet with data for the desired command.
3. Update the packet with the desired command.
4. Send the download packet.
5. Repeat step 1, and continue as needed.

By creating a procedure like this one, you can ensure the data for a command will not be changed before the next download packet is received.

PROFIBUS Command Structure

The PROFIBUS is command-based. Dressler defines a download packet (“outbytes”) and an upload packet (“inbytes”) as described in the following sections of this chapter. Command lists follow.

Note: Response times are fast, so requested information is available in less than 100 ms. More specifically, a download packet (“outbytes”) has high priority for the PROFIBUS and is processed immediately. The upload packet has lower priority and is updated every 100 ms, with the exception of the “output on” status bit, which is updated every 20 ms.

PROFIBUS Download Packet

The download packet for the PROFIBUS contains four bytes, as shown in [Table 4-9](#).

Table 4-9. Configuration of download bytes (outbytes)

Byte	Description
0	Command
1	Data byte (LSB)
2	Data byte
3	Data byte (MSB)

In the packet, bytes 1, 2, and 3 comprise the “data field” and contain information defined by the command. Note that when the information extends over more than one byte, the packet sends the least significant byte (LSB) before the most significant byte (MSB).

PROFIBUS Upload Packet

During every PROFIBUS data exchange, the CESAR generator supplies a 14-byte response to a download (“outbytes”) packet. [Table 4-10](#) lists the response or “upload packet.” These bytes are also known as “inbytes.”

Table 4-10. Configuration of upload packet (inbytes)

Byte	Description
0	Status flags—first byte
1	Status flags—second byte
2	Delivered power low
3	Delivered power high
4	Forward power low
5	Forward power high
6	Reflected power low
7	Reflected power high
8	Data byte (LSB)
9	Data byte
10	Data byte
11	Data byte
12	Data byte (MSB)
13	Data field definition

Bytes 0 and 1 of the upload packet contain information about the CESAR generator; this information appears as status bits (or status “flags”). [Table 4-11](#) defines these status bits:

Table 4-11. Upload status bytes

Bit	Description
First Status Bit	8 = Control mode (with bit 9) 9 = Control mode (00 = User , 10 = PROFIBUS) 10 = Set point status OK 11 = Reserved 12 = End of Target Life (EOTL) 13 = Active toggle bit 14 = Bus fault (high or low) 15 = Reserved
Second Status Bit	0 = Reserved 1 = Overtemperature condition 2 = Interlock mechanism open 3 = Momentary power failure 4 = Reserved 5 = Contactor not closed 6 = Reserved 7 = Output is on

In the first status byte, bit 13 (the active toggle bit) indicates the status of the **PROFIBUS** interface. After the CESAR generator has powered up, this bit’s continuous change indicates that the **PROFIBUS** interface is ready. During operation, a cessation of this change indicates that a communication problem exists.

In the packet, bytes 8, 9, 10, 11, and 12 comprise the “data field” and contain information defined by byte 13, the data field definition byte. Note that when the data extends over more than one byte, the **PROFIBUS** sends the least significant byte (LSB) before the most significant byte (MSB). Byte 13 references the requesting command.

Host Port—Ethernet (Modbus/TCP)

This section describes the **Ethernet** host port. For information on the **RS-232** host port, see [“Host Port—RS-232 With AE Bus” on page 4-44](#). For information on the **PROFIBUS** host port, see [“Host Port—PROFIBUS” on page 4-51](#).

Note: To determine which option you have, see [“Understanding Model 136 Options” on page 1-2](#).

You can control the CESAR generator through a network using a Modbus/TCP connection. [Figure 4-44](#) illustrates the connector.

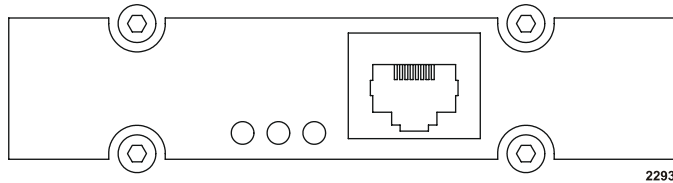


Figure 4-44. Ethernet connector

The following sections describe some of the attributes of CESAR generator Modbus/TCP communication. For general information about the Modbus/TCP protocol, visit the Modbus Users Web Site at: www.modbus.org. For more information on connecting to the unit through the Ethernet port, see [“Connecting and Setting Ethernet \(Modbus/TCP\) Communication”](#) on [page 5-9](#) and [“Connecting to an Ethernet-Enabled Unit With a Web Browser”](#) on [page 5-49](#).

The CESAR generator does not directly implement Modbus/TCP. Instead, a program running on the interface board accepts Modbus/TCP packets from the **Host**, sends appropriate AE Bus commands to the CESAR generator using the internal **RS-232** interface, and forms an appropriate reply packet.

The system supports up to 6 Modbus/TCP connections to port 502.

Registers are defined in an absolute-zero-based format.

Note: When using third-party tools, make sure to select zero-based format.

UNDERSTANDING MODBUS/TCP COMMANDS AND REGISTER TYPES

The CESAR generator uses the class 2 definition of Modbus/TCP. FC23 is used to map the CESAR generator’s AE Bus commands to the Modbus/TCP packet. You can use FC23 to run all common CESAR generator commands. For more information and specific register information, see [page 4-59](#).

The CESAR generator may reply to Modbus/TCP commands with the following exception codes:

- 01 (illegal function)
- 02 (illegal register reference)
- 03 (illegal data value)

Data Encoding

The CESAR generator uses standard, little endian (least significant byte first) architecture. However, Modbus/TCP registers use swapped words, or big endian (most significant byte first) architecture.

For data contained in a single, 16-bit register, this difference simply means that the byte order is reversed (byte 1, byte 0). For data that occupies multiple registers, data must also be encoded least significant word first. For example, a 32-bit value would be sent in the following order: byte 1, byte 0, byte 3, byte 2.

Note: In FC23, the portion of the packet containing AE Bus command bytes is *not* reordered. These bytes are ordered exactly as they are for the AE Bus command.

Data Monitoring and Configuration Changes With Multiple Clients

Multiple clients may send configuration information simultaneously. All configuration commands in the CESAR generator are atomic, which prevents erasing problems. However, one client may overwrite another's configuration information. Using Modbus/TCP FC23

FC23 allows you to send any CESAR generator AE Bus command through the Modbus/TCP interface, providing complete control of the system in a way that directly corresponds to the AE Bus commands. (For a complete listing of the AE Bus commands and their associated data, see [Table 4-16 on page 4-64](#). For AE Bus protocol information, see [“AE Bus Protocol” on page 4-46](#).)

To accommodate this use of AE Bus commands, the CESAR generator uses some special values in the FC23 packet. The following sections describe the packet format for FC23 send, receive, and exception error packets.

FC23 Send Packet Format

[Table 4-12](#) describes the bytes contained in the FC23 send packet.

Note: If the CESAR generator rejects a command, it returns an exception 01 code.

Table 4-12. Packet format for FC23 send

Byte Numbers	Purpose	Value to Send
0 and 1	Transaction ID	Not used (value is copied into reply)
2 and 3	Protocol ID	0
4 and 5	Number of bytes following	Count of bytes in packet, starting with byte 6

Table 4-12. Packet format for FC23 send (Continued)

Byte Numbers	Purpose	Value to Send
6	Unit ID	0 (denotes the default AE Bus address)
7	Function code	23 = 0x17h
8 and 9	Reference number for read	0xFFFFh <i>Note:</i> This value is necessary to denote the special use of FC23 (mapping to AE Bus commands).
10 and 11	Word count	Not used
12 and 13	Reference number for write	0xFFFFh <i>Note:</i> This value is necessary to denote the special use of FC23 (mapping to AE Bus commands).
14 and 15	Word count for write	Not used
16	Byte count for write	Not used
17	AE Bus command number	AE Bus command number; see “Host Port Commands” on page 4-62 for a complete list of commands
18	Number of bytes in AE Bus write packet	Total number of bytes in the AE Bus packet; for a description of the AE Bus packet, see “AE Bus Protocol” on page 4-46 ; for information on the number of data bytes in each AE Bus command, see Table 4-16 on page 4-64
19 and up	AE Bus data bytes	Data bytes contained in the AE Bus packet; for a description of the data bytes for each command, see Table 4-16 on page 4-64 . <i>Note:</i> Modbus word swapping does not affect the order of these bytes. These bytes should be ordered as necessary for the AE Bus command (least significant bytes first).

FC23 Response Packet

Table 4-13 describes the bytes contained in an FC23 response packet.

Table 4-13. Packet format for FC23 response

Byte Numbers	Purpose	Response Value
0 and 1	Transaction ID	Not used (value is copied from send packet)
2 and 3	Protocol ID	0
4 and 5	Number of bytes following	Count of bytes in packet, starting with byte 6
6	Unit ID	0 (copied from send packet; denotes the default AE Bus address)
7	Function code	23 = 0x17h
8	Byte counter	Not used
9	AE Bus command number	AE Bus command number; see Table 4-16 on page 4-64 for a complete list of commands
10	Number of bytes in AE Bus response packet	Total number of bytes in the AE Bus packet; for a description of the AE Bus packet, see “AE Bus Protocol” on page 4-46 ; for information on the number of data bytes in each AE Bus command, see Table 4-16 on page 4-64
11 and up	AE Bus data bytes	Data bytes contained in the AE Bus packet; for a description of the data bytes for each command, see “Host Port Commands” on page 4-62 . <i>Note:</i> Modbus word swapping does not affect the order of these bytes. These bytes are ordered as necessary for the AE Bus command (least significant bytes first).

FC23 Exception Error Packet

Table 4-14 describes the bytes contained in an FC23 exception error packet.

Table 4-14. Packet format for FC23 exception error

Byte Numbers	Purpose	Response Value
0 and 1	Transaction ID	Not used (value is copied from send packet)
2 and 3	Protocol ID	0
4 and 5	Number of bytes following	Count of bytes in packet, starting with byte 6
6	Unit ID	0 (copied from send packet; denotes the default AE Bus address)
7	Function code + 0x80h	151 = 0x97h
8	Exception code	Exception code <ul style="list-style-type: none"> • 01 = Illegal function • 02 = Illegal register reference • 03 = Illegal data value

Host Port Commands

The following sections describe the commands used by the CESAR generator host ports. Most host port commands are the same for all of the available interfaces. Differences are noted where they exist.

Note: To determine which host port option you have, see [“Understanding Model 136 Options”](#) on page 1-2.

This revision of the manual provides information associated with software release 1.16. This version of the software included changes to the error and warning messages. Please use an appropriate revision of this manual for earlier versions of the software. If you do not have the appropriate manual, contact Customer Support (see [“Customer Support”](#) on page 6-14).

Note: The unit reports the software revision level with host port command **198** (see [Table 4-16](#) on page 4-64).

The following sections describe the command status response (CSR) codes returned by the CESAR generator in response to a host port command, as well as the host port commands for the CESAR generator.

ACTIVATING HOST PORT CONTROL

To use the host port commands, the unit must be in **Host** control mode (see command [14](#) on page [4-68](#)).

HOST PORT COMMAND STATUS RESPONSE (CSR) CODES

When the CESAR generator receives a host port command requesting a change in unit operation or status (command numbers **1** through **127**), it responds with a *command status response (CSR)* code. The CSR is a single-byte number that indicates whether the unit accepted or rejected the command and, in the case of rejection, the reason the unit could not respond to the command. Use [Table 4-15](#) to interpret the CSR codes.

Table 4-15. Host port CSR codes

Value	Meaning
0	Command accepted
1	Command rejected because the unit is in the wrong control mode
2	Command rejected because RF output is on
4	Command rejected because the data sent is out of range
5	Command rejected because the User Port RF signal is off
7	Command rejected because active fault(s) exist in the CESAR generator
9	Command rejected because the data byte count is incorrect
19	Command rejected because the recipe mode is active
50	Command rejected because the frequency is out of range
51	Command rejected because the duty cycle is out of range
99	Command not implemented

HOST PORT COMMAND SET

The CESAR generator host ports use two types of commands:

- Commands **1** through **127** request a change to the CESAR generator, such as turning output on or off or changing a setting in the unit. The unit responds to these commands by sending a command status response (CSR). This single-byte response indicates whether the unit has accepted or rejected the command and, in the case of rejection, the reason the unit could not respond to the command. For more information on CSR codes, see [“Host Port Command Status Response \(CSR\) Codes”](#) on page [4-63](#).

- Command numbers **128** through **255** request information from the unit, such as output on/off status and unit settings. The unit responds to these commands by sending the data requested.

For AE bus, unless otherwise specified for individual commands, any value greater than one byte must be sent and received least significant byte (LSB) first. For example, if a command contained 7 data bytes made up of one 8-bit value, one 16-bit value, and one 32-bit value, the 7 data bytes would be sent in the following order:

0, 2, 1, 6, 5, 4, 3 (0 = 8-bit value, 2 and 1 = 16-bit value, 6 through 3 = 32-bit value).

Most host port commands are the same for all of the available interfaces. Differences are noted where they exist. [Table 4-16](#) describes the CESAR generator host port commands.

Table 4-16. Host port commands

Command	Description	Number of Host Data Bytes	Number of Response Data Bytes
1 RF off	Turns off RF output. Read back with command 162 .	0	1 (CSR only)
2 RF on	Turns on RF output Read back with command 162 .	0	1 (CSR only)
3 regulation mode	Sets the regulation mode. Send one data byte, indicating the desired regulation mode: <ul style="list-style-type: none"> • 6 = Forward power (P_{forward}) regulation • 7 = Load power (P_{real}) regulation • 8 = External power (DC Bias) regulation <p><i>Note:</i> You cannot change regulation mode while RF power is on.</p> <p>For a description of regulation modes, see “Setting Regulation Mode” on page 5-15.</p> Read back with command 154 .	1	1 (CSR only)

Table 4-16. Host port commands (Continued)

Command	Description	Number of Host Data Bytes	Number of Response Data Bytes
<p>4 forward power limit</p>	<p>Limits the forward power in external power (DC Bias) regulation mode (set with command 3) by specifying the maximum forward power that can be delivered.</p> <p><i>Note:</i> This command has no effect in forward power (P_{forward}) or load power (P_{real}) regulation mode.</p> <p>Send two data bytes, least significant byte first, representing the maximum forward power in watts.</p> <ul style="list-style-type: none"> • Accepts a value of 5% of nominal power to full nominal power. <p>Read back with command 169.</p>	2	1 (CSR only)
<p>5 reflected power limit</p>	<p>Specifies the maximum reflected power.</p> <p>Send two data bytes, least significant byte first, representing the reflected power limit as a percentage of nominal power.</p> <ul style="list-style-type: none"> • Accepts a value of 1% of nominal power up to the specified limit. <p>Read back with command 170.</p>	2	1 (CSR only)
<p>8 set point</p>	<p>Specifies the output set point level for the selected regulation mode (set with command 3).</p> <p>Send two data bytes, least significant byte first, representing the set point level in watts.</p> <ul style="list-style-type: none"> • Accepts a value of 0 to nominal power (or maximum external feedback value). <p>Read back with command 164.</p>	2	1 (CSR only)

Table 4-16. Host port commands (Continued)

Command	Description	Number of Host Data Bytes	Number of Response Data Bytes
9 maximum external feedback	<p>Specifies the external feedback value that corresponds to the maximum voltage at the User Port.</p> <p>Send three data bytes, least significant byte first.</p> <ul style="list-style-type: none"> Bytes 1 and 2 = Maximum external feedback value in the range of 100 to 4000 (100 V to 4000 V). Byte 3 is only for compatibility and is ignored. 	3	1 (CSR only)
11 select active target	<p>Specifies which target is active.</p> <p>Send one data byte.</p> <ul style="list-style-type: none"> Accepts a value of 0 to 4. <i>Note:</i> If 0 is selected, the no target life timer will count. <p>For more information, see “Setting a Target Lifetime” on page 5-47.</p> <p>Read back with command 156. (See also command 12.)</p>	1	1 (CSR only)
12 AE Bus and Ethernet version set target life (see next row for Profibus version of command)	<p>Sets the target life, in kilowatt hours, of the specified target (see command 11).</p> <p>Send five data bytes, least significant byte first.</p> <ul style="list-style-type: none"> Byte 1 selects the target number (1 to 4). Bytes 2 through 5 specify the target life in hundredths of kWh (for example, 100 = 1 kWh). <p>For more information, see “Setting a Target Lifetime” on page 5-47.</p> <p>Read back with command 157.</p>	5	1 (CSR only)

Table 4-16. Host port commands (Continued)

Command	Description	Number of Host Data Bytes	Number of Response Data Bytes
<p>12 Profibus version</p> <p>set target life</p> <p>(see previous row for AE Bus/Ethernet version of command)</p>	<p>Sets the target life, in kilowatt hours, of the specified target (see command 11).</p> <ul style="list-style-type: none"> • Byte 1 selects the target number (1 to 4). • Bytes 2 and 3 specify the target life in hundredths of kilowatt-hours (for example, 100 = 1 kWh). <p>For more information, see “Setting a Target Lifetime” on page 5-47.</p> <p>Read back with command 157.</p>	3	1 (CSR only)
<p>13 tuner control</p>	<p>Sets the tuner control if the CESAR generator is connected to a Dressler Variomatch unit through the matching interface. (For more information on this interface, see “Matching Interface” on page 4-9.) This command will not work with other matching networks unless they are electrically compatible and are connected through the Matching Interface connector.</p> <p>Send one data byte:</p> <ul style="list-style-type: none"> • 0 = Manual • 1 = Automatic <p><i>Note:</i> A Variomatch unit must be connected to the generator.</p> <p>For more information, see “Controlling the Matchbox” on page 5-20.</p>	1	1 (CSR only)

Table 4-16. Host port commands (Continued)

Command	Description	Number of Host Data Bytes	Number of Response Data Bytes
<p>14 active control mode</p>	<p>Sets the generator's active control mode.</p> <p>Send one data byte:</p> <ul style="list-style-type: none"> • 2 = Host (serial) control (for more information, see "CESAR Generator Host Port Options" on page 4-43) • 4 = User Port (analog) control (for more information, see "CESAR Generator User Port Options" on page 4-11) • 6 = Local control through Front Panel (for more information, see "Operating the CESAR Generator Using the Front Panel" on page 5-24) <p><i>Note:</i> If you try to change the control mode while the unit is on, the unit automatically switches off.</p> <p>Read back with command 155.</p>	1	1 (CSR only)

Table 4-16. Host port commands (Continued)

Command	Description	Number of Host Data Bytes	Number of Response Data Bytes
<p>17 frequency tuning parameters</p>	<p>Sets the parameters for frequency tuning.</p> <p>Send three data bytes, least significant byte first.</p> <ul style="list-style-type: none"> • Bytes1 and 2 specify the maximum frequency in kHz (this value is ignored when byte 3 is set to 0). • Byte 3 selects the control mode for frequency shift tuning (FST): <ul style="list-style-type: none"> ▶ 0 = No FST (frequency as defined with command 18) ▶ 1 = Integral, phase positive ▶ 2 = Integral, phase negative ▶ 3 = Proportional, phase positive ▶ 4 = Proportional, phase negative <p>If FST is active (modes 1 through 4), the frequency set with command 18 is used as the minimum frequency limit. Ensure that this frequency is less than the maximum frequency before command 17 is used.</p> <p><i>Note:</i> This command is not available on generators with fixed frequency.</p> <p>For more information, see “Controlling the Matchbox” on page 5-20.</p> <p>Read back with 187.</p>	3	1 (CSR only)

Table 4-16. Host port commands (Continued)

Command	Description	Number of Host Data Bytes	Number of Response Data Bytes
18 AE Bus and Ethernet version RF frequency (see next row for Profibus version of command)	<p>Sets the RF frequency.</p> <p>Send four data bytes representing the RF frequency in 100 Hertz steps (for example, 10000 = 1 MHz).</p> <p><i>Note:</i> This command is only available on generators with variable frequency.</p> <p>Read back with command 178.</p>	4	1 (CSR only)
18 Profibus version RF frequency (see previous row for AE Bus/ Ethernet version of command)	<p>Sets the RF frequency.</p> <p>Send three data bytes representing the RF frequency in 100 Hertz steps (for example, 10000 = 1 MHz).</p> <p><i>Note:</i> This command is only available on generators with variable frequency.</p> <p>Read back with command 178.</p>	3	1 (CSR only)
19 number of recipe steps	<p>Specifies the number of recipe steps.</p> <p>Send one data byte, representing the desired number of recipe steps</p> <ul style="list-style-type: none"> • Accepts a value of 0 through 2. <p><i>Note:</i> 0 disables recipe settings.</p> <p>For more information, see “Creating Recipes” on page 5-45.</p>	1	1 (CSR only)

Table 4-16. Host port commands (Continued)

Command	Description	Number of Host Data Bytes	Number of Response Data Bytes
<p>21 recipe step/ ramp time</p>	<p>Specifies the ramp time for a given recipe step.</p> <p>Send three data bytes, least significant byte first:</p> <ul style="list-style-type: none"> • Byte 1 selects the recipe step number (1 to 2) (set with command 19). • Bytes 2 and 3 set the ramp time value in tenths of a second. Send a value from 0 to 36000 (one hour). <p>For more information, see “Creating Recipes” on page 5-45.</p> <p>Read back with command 191.</p>	3	1 (CSR only)
<p>22 recipe step/ set point</p>	<p>Specifies the set point for a given recipe step.</p> <p>Send three data bytes, least significant byte first.</p> <ul style="list-style-type: none"> • Byte 1 selects the recipe step number (1 to 2) (set with command 19). • Bytes 2 and 3 specify the set point value. <p><i>Note:</i> The set point value must be within the operating range (see “Electrical specifications” on page 3-4).</p> <p>For more information, see “Creating Recipes” on page 5-45.</p> <p>Read back with command 188.</p>	3	1 (CSR only)

Table 4-16. Host port commands (Continued)

Command	Description	Number of Host Data Bytes	Number of Response Data Bytes
23 recipe step/ run time	<p>Sets the run time in seconds for a specified recipe step.</p> <p>Send three data bytes, least significant byte first.</p> <ul style="list-style-type: none"> • Byte 1 selects the recipe step number (1 to 2) (set with command 19). • Bytes 2 and 3 set the run time in seconds <p>For more information, see “Creating Recipes” on page 5-45.</p> <p>Read back with command 188.</p>	3	1 (CSR only)
24 save presets	<p>Saves the current operation parameters to EEPROM as a preset with the given number (0 to 5).</p>	1	1 (CSR only)
25 restore presets	<p>Restores the current operation parameters to EEPROM as preset with the given number (0 to 5).</p>	1	1 (CSR only)
27 set pulsing	<p>Sets the desired pulsing. Send one data byte.</p> <ul style="list-style-type: none"> • 0 = Pulsing off • 1 = Internal pulsing • 2 = External pulsing • 3 = External pulsing inverted • 4 = Enable internal pulsing by external pulsing input <p>See also commands 93 and 96.</p> <p>For more information, see “Using the Pulsing Function” on page 5-44.</p> <p>Read back with command 177.</p>	1	1 (CSR only)

Table 4-16. Host port commands (Continued)

Command	Description	Number of Host Data Bytes	Number of Response Data Bytes
<p>29 set remote control override</p>	<p>Sets Remote Control Override, which enables partial front panel control (see also “Using the Remote Control Override” on page 5-47).</p> <p>Send one data byte:</p> <ul style="list-style-type: none"> • Bit 0 = RF On/Off buttons enabled • Bit 1 = Rotating Knob enabled • Bit 2 = Matching buttons enabled as follows: <ul style="list-style-type: none"> ▶ 0 = Buttons and knob disabled ▶ 1 = RF On/Off buttons enabled Rotating knob disabled Matching buttons disabled ▶ 2 = RF On/Off buttons disabled Rotating knob enabled Matching buttons disabled ▶ 3 = RF On/Off buttons enabled Rotating knob enabled Matching buttons disabled ▶ 4 = RF On/Off buttons disabled Rotating knob disabled Matching buttons enabled ▶ 5 = RF On/Off buttons enabled Rotating knob disabled Matching buttons enabled ▶ 6 = RF On/Off buttons disabled Rotating knob enabled Matching buttons enabled ▶ 7 = RF On/Off buttons enabled Rotating knob enabled Matching buttons enabled 	1	1 (CSR only)

Table 4-16. Host port commands (Continued)

Command	Description	Number of Host Data Bytes	Number of Response Data Bytes
30 set User Port scaling	<p>Sets User Port (analog) voltage scaling from 0 V to a range of 2 V to 10 V in steps of 0.5 V.</p> <p>Send one data byte.</p> <ul style="list-style-type: none"> A factor of 2 is applied (for example, 5 = 2.5 V). <p>Read back with command 158.</p>	1	1 (CSR only)
31 set RF-on ramping rise time	<p>Sets RF-on ramping rise time.</p> <p>Send two data bytes, least significant byte first, representing the RF-on ramping rise time in tenths of a second.</p> <p>Read back with command 151.</p>	2	1 (CSR only)
32 set RF-on ramping fall time	<p>Sets RF-on ramping fall time.</p> <p>Send two data bytes, least significant byte first, representing the RF-on ramping fall time in tenths of a second.</p> <p>Read back with command 151.</p>	2	1 (CSR only)
33 set reflected power parameters	<p>Sets reflected power parameters.</p> <p>Send three data bytes, least significant byte first.</p> <ul style="list-style-type: none"> Byte 1 sets the number of seconds (after reaching the limit set by bytes 2 and 3) until RF is turned off. <ul style="list-style-type: none"> Accepts a value of 1 s to 255 s 0 = Off Bytes 2 and 3 set the reflected power limit that triggers the timer set by byte 1. <p><i>Note:</i> If the time is set to 0, this function is disabled.</p> <p>For more information, see “Changing Reflected Power Settings” on page 5-48.</p> <p>Read back with command 152.</p>	3	1 (CSR only)

Table 4-16. Host port commands (Continued)

Command	Description	Number of Host Data Bytes	Number of Response Data Bytes
<p>69 set serial port baud rate</p> <p>This command is for AE Bus only. It can not be used with PROFIBUS and Ethernet interfaces.</p>	<p>Sets the serial port baud rate.</p> <p>Send three data bytes</p> <ul style="list-style-type: none"> • Byte 1 is only for compatibility and is ignored. • Bytes 2 and 3 set the baud rate (send least significant byte first). Valid baud rates are: <ul style="list-style-type: none"> ▶ 9600 ▶ 19200 ▶ 38400 ▶ 57600 ▶ 115200 <p><i>Note:</i> For 115200, the selection value is 0</p> <p>Read back with command 212.</p>	3	1 (CSR only)
<p>93 set pulsing frequency</p>	<p>Sets the RF pulsing frequency.</p> <p>Send three data bytes, least significant byte first, representing the pulsing frequency in Hertz.</p> <ul style="list-style-type: none"> • Accepts a value of 1 to 100000 (1 Hz to 100000 Hz). <p><i>Note:</i> Ensure the value does not exceed the specified maximum pulse frequency of the generator (see “Electrical Specifications” on page 3-4).</p> <p>See also commands 27 and 96. For more information, see “Using the Pulsing Function” on page 5-44.</p> <p>Read back with command 193.</p>	3	1 (CSR only)

Table 4-16. Host port commands (Continued)

Command	Description	Number of Host Data Bytes	Number of Response Data Bytes
96 set pulsing duty cycle	<p>Sets the RF pulsing duty ON time in increments of 1%. This value can range from 1% to 99%.</p> <ul style="list-style-type: none"> • Minimum On or Off time is 16 μs. <p>See also commands 27 and 93. For more information, see “Using the Pulsing Function” on page 5-44.</p> <p>Read back with command 196.</p>	2	1 (CSR only)
111 initialize capacitors	<p>Moves capacitors of a connected Variomatch unit to the minimum position. (For more information on this interface, see “Matching Interface” on page 4-9.) This command will not work with other matching networks unless they are electrically compatible and are connected through the Matching Interface connector.</p> <p>For more information, see “Controlling the Matchbox” on page 5-20.</p>	0	1 (CSR only)
112 move load capacitor position	<p>Moves the load capacitor motor of a connected Variomatch unit to the specified position. (For more information on this interface, see “Matching Interface” on page 4-9.) This command will not work with other matching networks unless they are electrically compatible and are connected through the Matching Interface connector.</p> <p>Send two data bytes to move the load motor to its new position.</p> <ul style="list-style-type: none"> • Accepts a value of 0 to 1000 <p>For more information, see “Setting Automatic Tune Control” on page 5-22.</p> <p>Read back with command 175.</p>	2	1 (CSR only)

Table 4-16. Host port commands (Continued)

Command	Description	Number of Host Data Bytes	Number of Response Data Bytes
<p>119 PROFIBUS reset/explicit fault clear</p> <p>This command is for PROFIBUS only. It can not be used with AE Bus and Ethernet interfaces.</p>	<p>Clears PROFIBUS fault and error code register.</p> <p>Send one data byte.</p> <p><i>Note:</i> Only if PROFIBUS is installed</p>	0	1 (CSR only)
<p>122 move series cap position</p>	<p>Moves the series capacitor motor of a connected Variomatch unit to a specified position. (For more information on this interface, see “Matching Interface” on page 4-9.) This command will not work with other matching networks unless they are electrically compatible and are connected through the Matching Interface connector.</p> <p>Send two data bytes to move the series motor to its new position.</p> <ul style="list-style-type: none"> • Accepts a value of 0 to 1000; <p>For more information, see “Setting Automatic Tune Control” on page 5-22.</p> <p>Read back with command 175.</p>	2	1 CSR only)
<p>128 supply type</p>	<p>Reports the generator type; returns 5 ASCII characters (for example, CESAR).</p>	0	5 data bytes 5 ASCII characters
<p>129 supply size</p>	<p>Reports the output capacity of the generator; returning packet contains 5 ASCII characters (for example, _1350).</p>	0	5 data bytes 5 ASCII characters

Table 4-16. Host port commands (Continued)

Command	Description	Number of Host Data Bytes	Number of Response Data Bytes
130 report software version	<p>Reports the version of the software. The returning packet contains 5 ASCII characters.</p> <p>This command is used in conjunction with command 198 to obtain the version/revision number of the software (for example, C3STD).</p>	0	5 data bytes 5 ASCII characters
131 report motor movement	<p>Reports the match network motor movement when the generator is connected to a Variomatch unit through the matching interface. (For more information on this interface, see “Matching Interface” on page 4-9.) This command will not work with other matching networks unless they are electrically compatible and are connected through the Matching Interface connector.</p> <p>Returns one data byte:</p> <ul style="list-style-type: none"> • 0 = Match network’s motors stopped • 1 = Match network’s motors running 	0	1
151 report ramping rise and fall times	<p>Report on and off ramping rise and fall times. The controller returns four data bytes, least significant byte first:</p> <ul style="list-style-type: none"> • Bytes 1 and 2 represent rise time in tenths of a second. • Bytes 3 and 4 represent fall time in tenths of a second. <p>Set with commands 31 and 32.</p>	0	4

Table 4-16. Host port commands (Continued)

Command	Description	Number of Host Data Bytes	Number of Response Data Bytes
152 report reflected power parameters	<p>Reports reflected power parameters.</p> <p>The controller returns three data bytes, least significant byte first:</p> <ul style="list-style-type: none"> • Byte 1 reports the time until RF is turned off in seconds • Bytes 2 and 3 report the reflected power detection level in watts. <p><i>Note:</i> If the time is set to 0, this function is disabled.</p> <p>Set with command 33.</p>	0	3
154 report regulation mode	<p>Reports regulation mode.</p> <p>The controller returns one data byte representing the regulation mode:</p> <ul style="list-style-type: none"> • 6 = Forward power (P_{forward}) regulation • 7 = Load power (P_{real}) regulation • 8 = External power (DC Bias) regulation <p>Set with command 3.</p>	0	1
155 report control mode	<p>Reports the control mode.</p> <p>The controller returns one data byte representing the control mode:</p> <ul style="list-style-type: none"> • 2 = Host • 4 = User Port • 6 = Local (Front Panel) <p>Set with command 14.</p>	0	1
156 report active target	<p>Reports the number of the active target.</p> <p>Set with command 11.</p>	0	1

Table 4-16. Host port commands (Continued)

Command	Description	Number of Host Data Bytes	Number of Response Data Bytes
157 report target life	Reports the amount of life remaining in the target you specify. Send one data byte, representing the desired target number (1 to 4). The controller returns the target life in hundredths of kilowatt hours (for example, 100 = 1 kWh). Set with command 12 .	1	4
158 report User Port scaling	Reports User Port (analog) voltage scaling. Set with command 30 .		

Table 4-16. Host port commands (Continued)

Command	Description	Number of Host Data Bytes	Number of Response Data Bytes
162 report process status	<p>Reports process status. The controller returns the following packet arranged as follows.</p> <p>1st status byte (bit flags):</p> <ul style="list-style-type: none"> • 0 = Reserved • 1 = Unassigned • 2 = Recipe run is active • 3 = Reserved • 4 = Reserved • 5 = Output power (0 = Off, 1 = On) • 6 = RF on requested (0 = Off, 1 = On) • 7 = Set point status (0 = Within tolerance, 1 = Out of tolerance) <p>2nd status byte (bit flags):</p> <ul style="list-style-type: none"> • 0 = End of target life • 1 = Reserved • 2 = Reserved • 3 = Overtemperature • 4 = Reserved • 5 = Reserved • 6 = Unassigned • 7 = Interlock open <p>3rd status byte (bit flags):</p> <ul style="list-style-type: none"> • 0 = Reserved • 1 = Reserved • 2 = Reserved • 3 = Unassigned • 4 = Reserved • 5 = Out of set point • 6 = Reserved • 7 = Reserved <p>(continued on next page)</p>	0	4

Table 4-16. Host port commands (Continued)

Command	Description	Number of Host Data Bytes	Number of Response Data Bytes
162 (continued from previous page)	(continued from previous page) 4th status byte (bit flags): <ul style="list-style-type: none"> • 0 = Current limit • 1 = Reserved • 2 = PROFIBUS error • 3 = Reserved • 4 = Reserved • 5 = Extended fault status • 6 = Reserved • 7 = CEX is locked (0 = Unlocked, 1 = Locked) 		
163 report tuning control	Reports matching control when the generator is connected to a Variomatch unit through the matching interface. (For more information on this interface, see "Matching Interface" on page 4-9.) This command will not work with other matching networks unless they are electrically compatible and are connected through the Matching Interface connector. Returns one data byte: <ul style="list-style-type: none"> • 0 = Manual control • 1 = Automatic control Set with command 13 .	0	1

Table 4-16. Host port commands (Continued)

Command	Description	Number of Host Data Bytes	Number of Response Data Bytes
164 report set point/ regulation mode	<p>Reports output set point level (set with command 8) and the active regulation mode (set with command 3).</p> <p>The controller returns three data bytes:</p> <ul style="list-style-type: none"> • Bytes 1 and 2 represent the set point value. • Byte 3 reports the regulation mode: <ul style="list-style-type: none"> ▶ 6 = Forward power regulation (P_{forward}) ▶ 7 = Load power regulation (P_{real}) ▶ 8 = External power regulation (DC Bias) 	0	3
165 report forward power	<p>Reports a snapshot of forward power level at that instant.</p> <p>The controller returns two data bytes representing the forward power in watts (LSB first).</p>	0	2
166 report reflected power	<p>Reports a snapshot of reflected power level at that instant.</p> <p>The controller returns two data bytes representing the reflected power in watts (LSB first).</p>	0	2
167 report delivered power	<p>Reports a snapshot of delivered power level at that instant.</p> <p>The controller returns two data bytes. Both bytes represent delivered power (LSB first).</p>	0	2
168 report external feedback (DC Bias)	<p>Reports a snapshot of external feedback level at that instant.</p> <p>The controller returns two data bytes representing the external feedback (LSB first).</p>	0	2

Table 4-16. Host port commands (Continued)

Command	Description	Number of Host Data Bytes	Number of Response Data Bytes
169 report forward power limit	<p>Reports programmed limit for forward power.</p> <p>The controller returns the user forward power limit in watts.</p> <p>Set with command 4.</p>	0	2
170 report reflected power limit	<p>Reports reflected power limit.</p> <p>The controller returns two data bytes representing the value in watts.</p> <p>Set with command 5.</p>	0	2
175 report capacitor positions	<p>Reports current load and series motor positions.</p> <p>The controller returns four data bytes, least significant byte first.</p> <ul style="list-style-type: none"> • Bytes 1 and 2 report the current load position (0 to 1000) • Bytes 3 and 4 report the current series position (0 to 1000). <p>Set with commands 112 and 122 or by using the automatic tune process.</p>	0	4
177 report pulsing	<p>Reports pulsing settings. The controller returns one data byte.</p> <ul style="list-style-type: none"> • 0 = Pulsing off • 1 = Internal pulsing • 2 = External pulsing • 3 = External pulsing inverted • 4 = Enable internal pulsing by external pulsing input <p>Set with command 27.</p>	0	1
178 report RF frequency	<p>Reports RF frequency in Hertz.</p> <p><i>Note:</i> This command is only available on generators with variable frequency.</p> <p>Set with command 18.</p>	0	4

Table 4-16. Host port commands (Continued)

Command	Description	Number of Host Data Bytes	Number of Response Data Bytes
187 report frequency tuning parameters	<p>Reports frequency tuning parameters.</p> <p>The controller returns three bytes, least significant byte first.</p> <ul style="list-style-type: none"> • Bytes1 and 2 return the maximum frequency in kHz. • Byte 3 returns the control mode for frequency shift tuning (FST): <ul style="list-style-type: none"> ▶ 0 = No FST (frequency as defined with command 18) ▶ 1 = Integral, phase positive ▶ 2 = Integral, phase negative ▶ 3 = Proportional, phase positive ▶ 4 = Proportional, phase negative <p><i>Note:</i> This command is not available on generators with fixed frequency.</p> <p>Set with command 17.</p>	0	3
188 report recipe step set point/ run time	<p>Reports the set point and run time for the selected recipe step.</p> <p>Send one byte to select the desired recipe step.</p> <p>The controller returns four data bytes:</p> <ul style="list-style-type: none"> • Bytes 1 and 2 represent the recipe step set point in watts. • Bytes 3 and 4 represent the recipe step run time in tenths of seconds. <p>Set with commands 22 and 23.</p>	1	4
191 report recipe step ramp time	<p>Reports the ramp time for the selected recipe step. The controller returns two data bytes:</p> <ul style="list-style-type: none"> • Bytes 1 and 2 represent the recipe step ramp time in tenths of seconds. <p>Set with command 21.</p>	1	4

Table 4-16. Host port commands (Continued)

Command	Description	Number of Host Data Bytes	Number of Response Data Bytes
193 report pulsing frequency	<p>Reports the RF pulsing frequency.</p> <p>The controller returns three data bytes, least significant byte first, representing the pulse frequency in Hertz.</p> <p>Set with command 93.</p>	0	3
196 report pulsing duty cycle	<p>Reports duty cycle in percent of on-time per cycle.</p> <p>The controller returns two data bytes, least significant byte first, representing the duty cycle in the percent of on-time per cycle.</p> <p>Set with command 96.</p>	0	2
198 report software revision level	<p>Reports the revision level of the software.</p> <p>Used in conjunction with command 130 to obtain the version/revision of the software (for example, 1.16).</p>		4 data bytes 4 ASCII characters
205 report run time	<p>Reports the total time that the generator was producing output power.</p> <p>The controller returns four data bytes, least significant byte first, representing the amount of time in seconds that the unit was producing output power.</p>	0	4

Table 4-16. Host port commands (Continued)

Command	Description	Number of Host Data Bytes	Number of Response Data Bytes
212 report serial port 0 address and baud rate This command is for AE Bus only. It can not be used with PROFIBUS and Ethernet interfaces.	Returns the serial port address and baud rate. The controller returns three data bytes: <ul style="list-style-type: none"> • Byte 1 is always address 1 • Bytes 2 and 3 = baud rate <ul style="list-style-type: none"> ▶ 9600 ▶ 19200 ▶ 38400 ▶ 57600 ▶ 115200 <i>Note:</i> For 115200, the return value is 0 Set with command 69 .	0	3
223 report error code register	Retrieves the error code. See also “Checking for and Resolving Errors and Warnings” on page 6-7.	0	1
230 report sensor data	Returns sensor data: <ul style="list-style-type: none"> • Bytes 0 and 1 = Reserved • Bytes 2 and 3 = Condensation 	0	4
231 report unit serial number	The controller returns four data bytes representing the serial number (LSB first)	0	4

Installation, Setup, and Operation

PREPARING TO INSTALL THE CESAR GENERATOR

The following sections provide information that you need to understand before installing the CESAR generator.

Spacing Requirements

The CESAR generator is designed for 19" racks but may be used alternatively as a desktop model. Regardless, you must ensure proper air flow (see [“Cooling Specifications” on page 3-6](#)):

- 6 cm (2.4") required on the left and right sides for airflow
- 10.16 cm (4") required at rear for cable connections

Additional space for connectors and cabling can be necessary. Also, allow adequate space for anyone who may need to access the front and rear panels. For a dimensional drawing, see [“Unit Dimensions” on page 3-2](#).

Installation Requirements

Install this unit according to the following requirements.



WARNING:

Operating and maintenance personnel must receive proper training before installing, troubleshooting, or maintaining high-energy electrical equipment. Potentially lethal voltages could cause death, serious personal injury, or damage to the equipment. Ensure that all appropriate safety precautions are taken.



WARNING:

RISK OF DEATH OR BODILY INJURY. Disconnect and lockout/tagout all sources of input power before working on this unit or anything connected to it.

Tools Required for Installation

Dressler supplies the following equipment:

- The CESAR™ 136 Generator
- An AC Mains cable

For successful installation, you will need to supply the following additional equipment:

- 19" rack or stable mounting surface
- 4 mounting screws (if you are rack-mounting the unit) and an appropriate screwdriver
- A matching network (if you are using the generator with a matching network). The CESAR generator is compatible with a Dressler Variomatch or a matching network with the same control functions and electronic topology.
- Cables (see also "[Connector/Cable specifications](#)" on page 3-3):
 - ▶ Grounding cable
 - ▶ Shielded coaxial cable for RF output

- ▶ All communication interface cables for the interfaces available on the unit (see [Chapter 1, “Understanding Model 136 Options”](#))
- ▶ Interlock interface cable
- ▶ CEX In and Out cables (if you are using CEX circuitry)
- ▶ RC control cable (if you are connecting a matching network)

Unpacking

Unpack and inspect the unit carefully, looking for obvious physical damage. If no damage is apparent, proceed with the installation. If you do see signs of shipping damage, contact Dressler® HF-Technik GmbH and the carrier immediately (see [“Customer Support” on page 6-14](#)). Save the shipping container for submitting necessary claims to the carrier.

INSTALLING THE CESAR GENERATOR

The following sections explain how to install the unit.

Mounting the CESAR Generator

The CESAR generator is designed to be built into 19" racks. However, the unit's compact outline dimensions also allow you to use the CESAR generator as a single desktop model.

To Mount the CESAR Generator:

1. Select a position that ensures proper and unlimited airflow from both sides of the CESAR generator to the rear panel:
 - ▶ 6 cm (2.4") required on the left and right sides for airflow
 - ▶ 10.16 cm (4") required at rear for cable connections



CAUTION:

Never integrate the CESAR generator into a 19" rack or any other outer cabinet in a way that may either reduce or interrupt a proper airstream.

2. Secure the unit in place using the four front-panel mounting holes and four screws.

Grounding



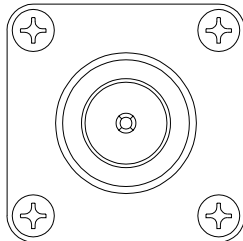
WARNING:

Do not attempt to turn on power until the CESAR generator is grounded.

Connect the ground terminal at the rear panel of the CESAR generator with the nearest PE ground (usually the 19" rack). Use a proper grounding cable that meets your national standards and has a cross-sectional area of at least 4 mm². Proper operation requires that you use a central, common ground for the generator, matching network, and load.

Connecting RF Output Power

The following illustration shows the output power connector, and [Table 5-1](#) describes each pin.



1194

Figure 5-1. Output (RF Out) connector

Table 5-1. Output connector pin descriptions

Pin	Description
Center	RF output
Outer	Ground

To Connect RF Output:

1. Connect one end of a shielded coaxial cable of 50 Ω impedance to the **RF Out** connector.

2. Connect the other end of the cable to the input of the load or matching network (labeled **RF Generator** on the Variomatch).

Note: For information on optimum cable length, contact customer service (for contact information, see [“Customer Support” on page 6-14](#)).

Connecting Communication Interfaces

The communication interfaces that you use will depend on how you want to communicate with the CESAR generator and which interface options you have. The unit provides several communication interface options that allow you to control the unit remotely: a 25-pin **User Port** or a 15-pin **User Port** and an **RS-232 Host** port, a **PROFIBUS Host** port, or an **Ethernet Host** port.

To determine which communication interfaces your unit has, see [“Understanding Model 136 Options” on page 1-2](#).

Note: Even if you are not using the **User Port** port for communication, some **User Port** circuits must be satisfied to operate the CESAR generator. For more information, see [“CESAR Generator User Port Options” on page 4-11](#).

To Connect the Communication Interfaces:

Make each interface connection. For specific information on the interface connections, including pin descriptions and communication protocols, see [Chapter 4, “Communication Interfaces.”](#)

Connecting the CESAR Generator to a System Interlock Loop

In order for the CESAR generator to operate, you must satisfy the interlock requirements. How to satisfy the interlock depends on the type of **User Port** you have.

Note: To determine which communication interfaces you have, see [“Understanding Model 136 Options” on page 1-2](#).

SATISFYING THE INTERLOCK WITH A 25-PIN USER PORT

If you have a 25-pin **User Port**, see the instructions for [“Satisfying Minimal 25-Pin User Port Requirements” on page 4-12](#).

SATISFYING THE INTERLOCK WITH A 15-PIN USER PORT

Units with a 15-pin **User Port** also have an **Interlock** interface that allows you to connect the CESAR generator into a larger system interlock loop. For specific information on the **Interlock** interface, including pin descriptions, see [“Satisfying the Interlock” on page 4-30](#).

To Connect the System Interlock:

Connect the 9-pin **Interlock** connector to the associated socket at the rear panel.

Connecting a Matchbox (Optional)

If you want the CESAR generator to control a matching network and/or to read the DC self-bias voltage, you must connect a matching unit. The CESAR generator is compatible with a Dressler Variomatch or a matching network with the same control functions and electronic topology. For specific information on the Matching interface, including pin descriptions, see [“Matching Interface” on page 4-9](#).



CAUTION:

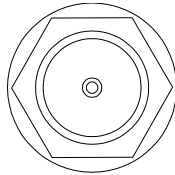
Improper connection to any existing external matching units to the CESAR RF unit could result in product or property damage.

To Connect a Matchbox:

1. Connect one end of an “RC” control cable to the CESAR generator’s Matching interface.
2. Connect the other end of the cable to the matching network’s interface (labeled **Interface** on the Variomatch).

Connecting Common Exciter (CEX) Circuitry (Optional)

If you want to connect common exciter (CEX) circuitry, each CESAR generator provides two type BNC, female CEX connectors: **CEX In** and **CEX Out**. [Figure 5-2](#) illustrates the CEX connector.



1193

Figure 5-2. CEX/Interconnect

The common exciter routes the RF clock signals among the various parts of the RF module, allowing you to phase-lock the outputs of two or more CESAR generators. Phase-locking the generators together causes the generators to run at the same frequency and with a fixed phase relationship between their outputs. Therefore, multiple CESAR generators can be coupled into the same plasma.

Note: In this type of operation, slight differences in output frequency or in the phase of the RF energy can create variations in frequency that may have adverse affects.

To Make the CEX Connections:

Connect the CEX output of the master generator to the CEX input of up to three slave units by using T-connectors for more than one slave.

Note: The phase relationship between the RF power is affected by the length of the cable used to connect the units. The use of a defined CEX interconnect cable results in minimal phase shift. You can also use commercially available phase shifters in the interconnect path to provide additional control of phase shift.

When a generator receives CEX input within the following specifications, it automatically frequency-locks to that signal:

- Required input signal amplitude: TTL
- Input and output frequency: 13.56 MHz \pm 0.005%
- Input impedance: 50 Ω
- Output signal amplitude: TTL

Connecting AC Input (Mains) Power



DANGER:

Before making any input line power connection, turn off and lockout/tagout all circuit breakers supplying input power to the CESAR generator.



DANGER:

Never connect the generator to the mains while the cabinet is open.

The AC input (**Mains**) connector is an IEC 320 connector. [Figure 5-3](#) shows the input power connector, and describes each pin.

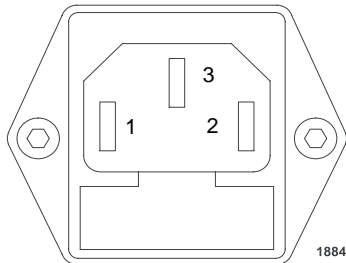


Figure 5-3. Input (Mains) connector

Table 5-2. Input connector pin description

Pin	Description
1	Phase (or neutral if pin 2 is phase)
2	Neutral (or phase if pin 1 is neutral)
3	Ground

To Connect the AC Input Power:

Connect the CESAR generator to the power mains by connecting the AC mains cord with 230 VAC (187 VAC to 253 VAC), 1 ϕ .

Note: The **ON/OFF** power switch does not completely disconnect the **Mains**. You must install an external switch to completely disconnect **Mains**.

Connecting and Setting Ethernet (Modbus/TCP) Communication

Your CESAR Generator may include an Ethernet port, which allows you to create a Modbus/TCP network connection to the unit.

Note: To determine which product option you have, see [“Understanding Model 136 Options” on page 1-2.](#)

This section provides information on connecting for Ethernet communication and setting the IP configuration for your unit, which will allow you to connect to the unit through your network. For more information, see also [“Host Port—Ethernet \(Modbus/TCP\)” on page 4-57](#) and [“Connecting to an Ethernet-Enabled Unit With a Web Browser” on page 5-49.](#)

CONNECTING FOR ETHERNET COMMUNICATION

To connect for Ethernet communication, connect the CESAR generator **Ethernet** port to a network connection using a standard, straight-through network cable. The CESAR generator does not include this cable.

SETTING THE IP CONFIGURATION FOR ETHERNET COMMUNICATION

The CESAR generator is shipped with the following default IP configuration:

- IP address: 192.168.111.111
- Netmask address: 255.255.255.0
- Gateway address: not set

Before using the system, you must reset the IP configuration to settings appropriate for your network.

Selecting an Appropriate IP Configuration

Selecting an appropriate IP configuration for your network can be difficult. Setting an address that already exists may cause serious network problems. Consult your network administrator for appropriate IP configuration settings.

Once you have identified an appropriate IP address, you can use the **ping** command in the Windows® Command Prompt to make sure that the network address is not currently in use. If the address is free at the moment you send the **ping** command, the result will be “Request timed out.” For more information on using the **ping** command and the Command Prompt, see the Windows Help (available under the Windows **Start** button).

Changing the IP Configuration

The CESAR generator is designed for use in a BootP environment (that is, a BootP server is running on the LAN), which will automatically set the unit IP configuration. However, you can also reset the IP configuration settings in a non-BootP environment. The following procedures provide instructions for both situations.

To Change the IP Configuration With BootP:

1. Configure your BootP server to recognize the CESAR generator MAC address (located on a sticker on the back of the unit, close to the **Ethernet** connector).
2. In the BootP server configuration, set an IP address for the CESAR generator that is appropriate for your network, and assign the MAC address of the CESAR generator to this IP address. (Consult your network administrator to identify appropriate IP address settings.)
3. Connect the CESAR generator to the network (this network should be routed to the BootP server) using a standard, straight-through network cable.
4. Power the CESAR generator on. In approximately 30 seconds, the CESAR generator will be visible to the BootP server and consequently your network (at the address specified in step 2).

To Change the IP Configuration Without BootP:

If you are using the Modbus CESAR generator in a non-BootP environment, you need to change the IP configuration through the BootP server utility that was included (on a CD-ROM) with the unit. For more information on using this software, see the Online Help system available when you launch the software.

FIRST-TIME OPERATION

Before proceeding with first-time operation, be sure you have satisfied the installation requirements and completed the installation procedures described in [“Installation Requirements” on page 5-2](#) and [“Installing the CESAR Generator” on page 5-3](#).

There are several ways in which you can operate CESAR generator. Refer to the section that describes how you intend to operate the generator:

- [“Operating the CESAR Generator for the First Time With the User Port” on page 5-11](#)
- [“Operating the CESAR Generator for the First Time With Host Port” on page 5-13](#)

- [“Operating the CESAR Generator for the First Time Using the Front Panel” on page 5-14](#)

Operating the CESAR Generator for the First Time With the User Port

There are two **User Port** options (for specific **User Port** information, see [“CESAR Generator User Port Options” on page 4-11](#)). This section describes operating procedures for both **User Port** options. If you have a 25-pin **User Port**, proceed to the next section; if you have a 15-pin **User Port**, see [“To Operate the CESAR Generator for the First Time Using the 15-pin User Port:” on page 5-12](#).

Note: To determine which **User Port** option you have, see [“CESAR 136 \(E\) options” on page 1-2](#).

To Operate the CESAR Generator for the First Time Using the 25-pin User Port:

1. If the generator is not connected to a system interlock loop, verify that there is external contact closure between pins 10 and 23 (*INTERLOCK LOOP*). See [Table 4-2 on page 4-14](#) for more information.
2. Power on the system by turning the front panel **ON/OFF** switch clockwise to a vertical position.

The initial front panel screen will display the CESAR generator model name, the operating frequency, the maximum RF power, and the software version. After five seconds, the display will change to a standard operation screen.

3. Listen to ensure the fans are rotating.
4. On the front panel, set the **Control by** setting to **User Port** (see [“Changing the Device Configuration Settings” on page 5-40](#)).
5. Verify that you have selected the desired power regulation:
 - ▶ See pin 6 for [“RF Forward power/ DC Bias regulation” on page 4-17](#).
 - ▶ See pin 8 for [“RF forward/load power regulation” on page 4-19](#).

For a description of regulation settings, see [“Setting Regulation Mode” on page 5-15](#).

6. Apply the appropriate voltage to pin 5 (*SET POINT*). See [Table 4-2 on page 4-14](#) for more information.
7. Apply the appropriate voltage to pin 4 (*RF PWR ON*). See [Table 4-2 on page 4-14](#) for more information.
8. Check the load. If your load is a plasma:
 - a. Is the plasma lit? If not, you may have a faulty connector or too little input power (see [“Troubleshooting Guide” on page 6-2](#)).

- b. Is the plasma stable (that is, is the plasma producing a constant glow)?
If not, see [“Troubleshooting Guide” on page 6-2.](#)
9. If you have a matching network connected, did the capacitors begin to move? If not, see [“Matching Network Troubleshooting” on page 6-2.](#)
10. Vary the chamber conditions according to your process requirements, and verify that the CESAR generator can cover the required load impedance range.

Congratulations, you have successfully installed and operated the CESAR generator.

To Operate the CESAR Generator for the First Time Using the 15-pin User Port:

1. If the generator is not connected to a system interlock loop, verify that there is external contact closure between **Interlock** pins 1 and 2 (see [Table 4-3 on page 4-31](#)).
2. Power on the system by turning the front panel **ON/OFF** switch clockwise to a vertical position.

The initial front panel screen will display the CESAR generator model name, the operating frequency, the maximum RF power, and the software version. After five seconds, the display will change to a standard operation screen.

3. Listen to ensure the fans are rotating.
4. On the front panel, set the **Control by** setting to **User Port** (see [“Changing the Device Configuration Settings” on page 5-40.](#)
5. Verify that you have selected the desired power regulation mode:
 - ▶ See **User Port** pins 1 and 2 in [Table 4-4 on page 4-32](#) and [Table 4-5 on page 4-36.](#)
6. Apply the appropriate voltage to **User Port** pin 12 (*RF POWER SET POINT*). See [Table 4-4 on page 4-32](#) for more information.
7. Apply the appropriate voltage to **User Port** pin 10 (*RF PWR ON*). See [Table 4-4 on page 4-32](#) for more information.
8. Check the load. If your load is a plasma:
 - a. Is the plasma lit? If not, you may have a faulty connector or too little input power (see [“Troubleshooting Guide” on page 6-2.](#)
 - b. Is the plasma stable (that is, is the plasma producing a constant glow)?
If not, see [“Troubleshooting Guide” on page 6-2.](#)
9. If you have a matching network connected, did the capacitors begin to move? If not, see [“Matching Network Troubleshooting” on page 6-2.](#)
10. Vary the chamber conditions according to your process requirements, and verify that the CESAR generator can cover the required load impedance range.

Congratulations, you have successfully installed and operated the CESAR generator.

Operating the CESAR Generator for the First Time With Host Port

There are three **Host** port options (for specific **Host** port information, see “CESAR Generator Host Port Options” on page 4-43). This section describes operating procedures for all **Host** port options.

Note: To determine which option you have, see “CESAR 136 (E) options” on page 1-2

To Operate the CESAR Generator for the First Time Using the Host Port:

1. If the generator is not connected to a system interlock loop, verify that the **User Port** interlock signal is satisfied.
 - ▶ If you have a 25-pin **User Port**, verify that there is external contact closure between pins 10 and 23 (*INTERLOCK LOOP*). See [Table 4-2 on page 4-14](#) for more information.
 - ▶ If you have a 15-pin **User Port**, verify that there is external contact closure between **Interlock** pins 1 and 2 (see [Table 4-3 on page 4-31](#)).
2. Power on the system by turning the front panel **ON/OFF** switch clockwise to a vertical position. The initial front panel screen will display the CESAR generator model name, the operating frequency, the maximum RF power, and the software version. After five seconds, the display will change to a standard operation screen.
3. Listen to ensure the fans are rotating.
4. Set the Host control mode by sending **active control mode** command **14**
 - ▶ 2 = **Host** (serial) control
5. Select the desired regulation mode by sending **regulation mode** command **3** (for a description of regulation mode settings, see “[Setting Regulation Mode](#)” on page 5-15).
 - ▶ 6 = Forward power (P_{forward}) regulation
 - ▶ 7 = Load power (P_{real}) regulation
 - ▶ 8 = External power (DC Bias) regulation

Note: You cannot change power regulation mode while RF power is on.
6. Send **set point** command **8** to set the set point.
7. Send **RF on** command **2** to turn on RF power.
8. Check the load. If your load is a plasma:
 - a. Is the plasma lit? If not, you may have a faulty connector or too little

- input power (see [“Troubleshooting Guide” on page 6-2](#)).
- b. Is the plasma stable (that is, is the plasma producing a constant glow)? If not, see [“Troubleshooting Guide” on page 6-2](#).
- 9. If you have a matching network connected, did the capacitors begin to move? If not, see [“Matching Network Troubleshooting” on page 6-2](#).
- 10. Vary the chamber conditions according to your process requirements, and verify that the CESAR generator can cover the required load impedance range.

Congratulations, you have successfully installed and operated the CESAR generator.

Operating the CESAR Generator for the First Time Using the Front Panel

You can operate the CESAR generator using full front panel control or remote control with partial front panel control. This section describes full front panel control operation. For partial control (Remote Control Override), see [“Setting Remote Control Override” on page 5-37](#).

To Operate the CESAR Generator for the First Time Using the Front Panel:

1. Ensure that the **User Port** interlock signal is satisfied.
 - ▶ If you have a 25-pin **User Port**, verify that there is external contact closure between pins 10 and 23 (*INTERLOCK LOOP*). See [Table 4-2 on page 4-14](#) for more information.
 - ▶ If you have a 15-pin **User Port**, verify that there is external contact closure between **Interlock** pins 1 and 2 (see [Table 4-3 on page 4-31](#)).
2. Power on the system by turning the front panel **ON/OFF** switch clockwise to a vertical position. The initial front panel screen will display the CESAR generator model name, the operating frequency, the maximum RF power, and the software version. After five seconds, the display will change to a standard operation screen.
3. Listen to ensure the fans are rotating.
4. Press the **RF POWER ON** key on the front panel.
5. Use the **RF POWER** rotary dial knob to increase the RF power to a desired level.
6. Check the load. If the load is a plasma:
 - a. Is the plasma lit? If not, you may have a faulty connector or too little input power (see [“Troubleshooting Guide” on page 6-2](#)).
 - b. Is the plasma stable (that is, is the plasma producing a constant glow)? If not, see [“Troubleshooting Guide” on page 6-2](#).

7. If you have a matching network connected and you are using automatic tune control (see [“Setting Automatic Tune Control” on page 5-22](#) for more information).
 - ▶ Did the capacitors begin to move? If not, see [“Matching Network Troubleshooting” on page 6-2](#).
8. Vary the chamber conditions according to your process requirements, and verify that the CESAR generator can cover the required load impedance range.

Congratulations, you have successfully installed and operated the CESAR generator.

NORMAL OPERATION

The following sections provide information on basic operating procedures and settings for normal operation. For information on more specialized operation settings and procedures, see [“Understanding Additional Operating Functions” on page 5-44](#).

Setting Regulation Mode

The CESAR generator is designed to regulate power into a broad range of output impedances. The unit can operate in the following:

- Forward power regulation (P_{forward})
In forward power regulation mode, the CESAR Generator regulates RF power with constant forward power.
- Load power regulation, or delivered power regulation (P_{real})
In load power regulation mode, the CESAR Generator regulates RF power with constant load (real) power.
- External power regulation (DC Bias)
In external power regulation mode, the CESAR Generator regulates RF power at a constant DC self bias voltage in the chamber. The RF output power can be limited to protect your plasma chamber against high RF power. This limitation is useful if there is no self bias voltage in the beginning of the process.

The regulation mode setting is retained in nonvolatile memory.

DETERMINING THE REGULATION MODE SETTING

The following procedures explain how to determine the regulation mode using either the **Host** port or the front panel.

To Determine the Regulation Mode Through the Host Port:

If you are using **RS-232**, **PROFIBUS**, or **Ethernet** to control and monitor the CESAR generator, send command **154** (see [Table 4-16 on page 4-64](#)). The controller will return one byte representing the regulation mode:

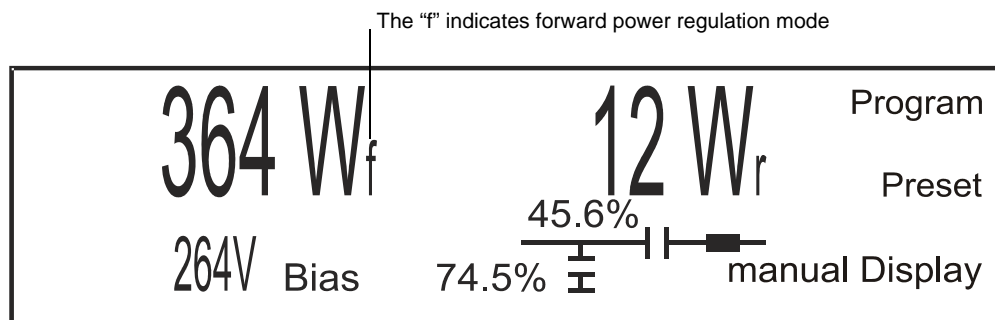
- 6 = Forward power regulation (P_{forward})
- 7 = Load power regulation (P_{real})
- 8 = External power regulation (DC Bias)

To Determine the Current Regulation Mode on the CESAR Generator Front Panel Display:

A description of the regulation mode setting will appear on the display, next to either the power value in watts or the DC bias value in volts:

- **f** indicates forward power regulation
- **real** indicates load power regulation
- **bias** indicates external power regulation

For example, forward power regulation is selected in the following illustration.



SETTING FORWARD POWER REGULATION MODE (P_{FORWARD})

In forward power regulation mode, the CESAR Generator regulates RF power with constant forward power. This section explains how to select forward power regulation using the **User Port**, the **Host port**, or the front panel.

To Select P_{forward} Regulation Through the User Port:

If you are using the 25-pin **User Port**, see pin 8, “[RF forward/load power regulation](#)” on page 4-19.

If you are using the 15-pin **User Port**, see pin 2, “[Operating Mode B](#)” on page 4-32 and [Table 4-5 on page 4-36](#).

To Select Forward Power Regulation Through the Host Port:

If you are using **RS-232**, **PROFIBUS**, or **Ethernet** to control and monitor the CESAR generator:

1. Select forward power regulation mode:
Send one data byte for command **3** (see [Table 4-16 on page 4-64](#)).
▶ 6 = Forward power regulation
2. Specify the output set point level for the regulation mode:
Send two data bytes, least significant byte first, for command **8** representing the set point level in watts (see [Table 4-16 on page 4-64](#)).

To Select Forward Power Regulation Using the CESAR Generator Front Panel:

Complete the following steps to select P_{forward} regulation using the front panel:

1. Press the **Program** soft key. **Control Settings** appears on the display.
2. Press **Change**.
3. Press **Control P_{forward}** .
4. Select the desired power set point between 0 W and 600 W using the **RF POWER** dial knob. Press the **Increm Auto** soft key to toggle between dynamic increments (Auto) and several fixed increments.
5. Press **Ok** to confirm.
6. Press **Exit**.
7. Press **Execute**.

The operating screen will then display the forward power in watts, the reflected power in watts, and the **Program** and **Display** soft keys.

SETTING LOAD POWER REGULATION MODE (P_{REAL})

In load power regulation mode, the CESAR Generator regulates RF power with constant load (real) power. This section explains how to select load power regulation using the **User Port**, the **Host** port, or the front panel.

To Select Load Power Regulation Through the User Port:

If you are using the 25-pin **User Port**, see pin 8, “[RF forward/load power regulation](#)” on page 4-19.

If you are using the 15-pin **User Port**, see pin 2, “[Operating Mode B](#)” on page 4-32 and [Table 4-5 on page 4-36](#).

To Select Load Power Regulation through the Host Port:

If you are using **RS-232**, **PROFIBUS**, or **Ethernet** to control and monitor the CESAR generator:

1. Select load power regulation mode:
Send one data byte for command **3** (see [Table 4-16 on page 4-64](#)).
 - ▶ 7 = Load power regulation
2. Specify the output set point level for the regulation mode:
Send two data bytes, least significant byte first, for command **8** representing the set point level in watts (see [Table 4-16 on page 4-64](#)).

To Select Load Power Regulation Using the CESAR Generator Front Panel:

Complete the following steps to select P_{real} regulation mode using the front panel:

1. Press the **Program** soft key. **Control Settings** appears on the display.
2. Press **Change**.
3. Press **Control P_{real}** .
4. Select the desired power set point between 0 W and 600 W using the **RF POWER** rotary dial knob. Press the **Increm Auto** soft key to toggle between dynamic increments (Auto) and several fixed increments.
5. Press **Ok** to confirm.
6. Press **Exit**.
7. Press **Execute**.

The operating screen will then display the load power in watts, the reflected power in watts, and the **Program** and **Display** soft keys.

SETTING EXTERNAL POWER REGULATION MODE (DC BIAS)

In external power regulation mode, the CESAR Generator regulates RF power at a constant DC self bias voltage in the plasma chamber. The RF output power can be limited to protect your plasma chamber against high RF power. This limitation is useful if there is no self bias voltage in the beginning of the process.

This section explains how to select external power regulation using the **User Port**, the **Host** port, or the front panel.

To Select External Power Regulation Through the User Port:

If you are using the 25-pin **User Port**, see pin 8, “[RF forward/load power regulation](#)” on page 4-19.

If you are using the 15-pin **User Port**, see pin 2, “[Operating Mode B](#)” on page 4-32 and [Table 4-5 on page 4-36](#).

To Select External Power Regulation Through the Host Port:

If you are using **RS-232**, **PROFIBUS**, or **Ethernet** to control and monitor the CESAR generator:

1. Select external power regulation:
Send one data byte for command **3** (see [Table 4-16 on page 4-64](#)).
 - ▶ **8** = External power regulation (DC Bias)
2. Specify the maximum forward power that can be delivered:
Send two data bytes, least significant byte first, for command **4** representing the maximum forward power in watts (see [Table 4-16 on page 4-64](#)).
3. Specify the output set point level for the regulation mode:
Send two data bytes, least significant byte first, for command **8** representing the set point level in watts (see [Table 4-16 on page 4-64](#)).

Selecting DC Bias Regulation Using the CESAR Generator Front Panel:

Complete the following steps to select DC Bias regulation mode using the front panel:

1. Press the **Program** soft key. **Control Settings** appears on the display.
2. Press **Change**.
3. Press **Control DC Bias**.
4. Set a DC Bias value using the **RF POWER** dial knob. Press the **Increm Auto** soft key to toggle between dynamic increments (Auto) and several fixed increments.
 - ▶ The value can be between 0 V and 4000 V
 - Note:* 4000 V is the default value. To change the default settings, see [“To Change the Default Device Configuration Settings Using the CESAR Generator Front Panel:” on page 5-41](#)
5. Press **Ok** to confirm.
6. Set a P_{forward} maximum value between 5% of nominal power and 600 W using a combination of the **Increm Auto** and the **RF POWER** dial knob.
7. Press **Ok** to confirm.
8. Press **Exit**.
9. Press **Execute**.

The operating screen will then display DC Bias in volts, the maximum forward power in watts, and the **Program** and **Display** soft keys.

Controlling the Matchbox

If the CESAR generator is attached to a Dressler Variomatch, you can control the matchbox manually or automatically. The matching network can operate as a variable tuner or as a fixed match. In manual tune control, you can set initial tuning capacitor positions; in automatic tune control, you can set tuning capacitor presets (see also “[Determining Automatic Tuning Presets](#)” on [page 5-23](#)).

DETERMINING THE CURRENT MATCHBOX TUNE SETTING

The following procedures explain how to determine if the matchbox is set to manual tune or automatic tune control.

To Determine the Tune Setting Through the Host Port:

If you are using **RS-232**, **PROFIBUS**, or **Ethernet** to control and monitor the CESAR generator, send command **163** (see [Table 4-16 on page 4-64](#)). The controller will return the tune setting:

- 0 = Manual
- 1 = Automatic

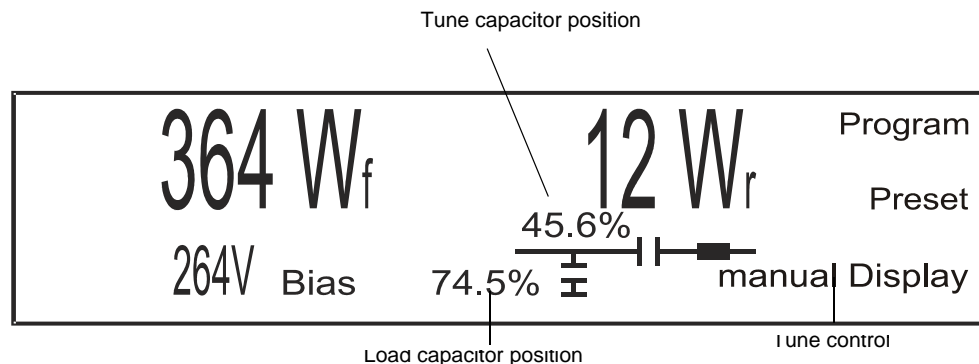
Note: You can also determine the capacitor limits and positions (see host port commands 174 and 175 in [Table 4-16 on page 4-64](#)).

To Set the Tune Setting on the CESAR Generator Front Panel:

If a tune setting is active, a description will appear in the lower right-hand corner of the display:

- **auto** indicates automatic tune control
- **man** indicates manual tune control

For example, manual tune control is selected in the following illustration.



SETTING MANUAL TUNE CONTROL

In manual tune control, the automatic tuning feature is disabled, and capacitor position is controlled only through the generator front panel.

This section explains how to select manual tune control using the **Host** port or front panel.

To Select Manual Tune Through the Host Port:

If you are using **RS-232**, **PROFIBUS**, or **Ethernet** to control the matchbox manually:

1. Send one data byte for command **13** (see [Table 4-16 on page 4-64](#)):
 - ▶ 0 = Manual
2. To manually change the tune positions, see [“To Adjust the Tune and Load Capacitors Using the CESAR Generator Front Panel:” on page 5-44](#).

To Set the Initial C Tune and C Load Positions in Manual Mode With the CESAR Generator Front Panel:

Complete the following steps to set initial C Tune and C Load positions in Manual mode using the CESAR generator front panel:

1. Press the **Program** soft key.
2. Press **Next** until you see **Match Settings** on the display.
3. Press **Change**.
4. Press **manual**.
5. Select the initial **C Tune** position using the **RF POWER** rotary dial knob.
 - ▶ You may select values between 4% and 96%.
6. Press **Ok** to confirm.
7. Select the initial **C Load** position using the **RF POWER** rotary dial knob.
 - ▶ You may select values between 4% and 96%.
8. Press **Ok** to confirm.
9. Press the **Exit** soft key.
10. Press the **Execute** soft key.

The tune and load capacitors will move to the initial tune positions, and the associated position values will begin to flash on the display, indicating that the capacitors are moving.

To manually change the tune positions from these initial positions, see [“To Adjust the Tune and Load Capacitors Using the CESAR Generator Front Panel:” on page 5-44](#).

SETTING AUTOMATIC TUNE CONTROL

Dressler recommends automatic tune control for standard matchbox operation. In automatic tune control, the matchbox automatically adjusts the capacitor positions to minimize reflected power. When a matchbox is attached and automatic tuning is set, the matchbox automatically adjusts the capacitor positions to minimize reflected power. The CESAR generator can set the matchbox to *preset* positions to find the optimum capacitor positions and ensure the shortest possible plasma ignition time. You can program the preset positions using either the front panel display or commands from the **Host** port.

Selecting Automatic Tune Through the Host Port:

If you are using **RS-232**, **PROFIBUS**, or **Ethernet** to control the matchbox automatically:

- ▶ Select the tune control setting:
Send one data byte for command **13** (see [Table 4-16 on page 4-64](#)):
 - ▶ 1 = Automatic
- 1. Set the load capacitor position:
Send two data bytes for command **112** (see [Table 4-16 on page 4-64](#)).
- 2. Set the tune capacitor position:
Send two data bytes for command **122** (see [Table 4-16 on page 4-64](#)).
- 3. To manually change the tune positions from these initial positions, see [“To Adjust the Tune and Load Capacitors Using the CESAR Generator Front Panel:” on page 5-44](#).

See also [“Determining Automatic Tuning Presets” on page 5-23](#) and [“Controlling a Variomatch Unit Attached to the Generator” on page 5-43](#).

To Set the Initial C Tune and C Load Positions in Automatic Mode With the CESAR Generator Front Panel:

Complete the following steps to set the initial capacitor positions in automatic tune mode using the CESAR generator front panel:

1. Press the **Program** soft key.
2. Press **Next** until you see **Match Settings** on the display.
3. Press **Change**.
4. Press **auto**.
5. Select the desired **C Tune** position using the **RF POWER** rotary dial knob.
 - ▶ You may select values between 40 and 960.
6. Press **Ok** to confirm.
7. Select the desired **C Load** position using the **RF POWER** rotary dial knob.
 - ▶ You may select values between 40 and 960.

8. Press **Ok** to confirm.
9. Press the **Exit** soft key.
10. Press the **Execute** soft key.

The capacitors will move to the programmed positions, and the associated position values will begin to flash on the display, indicating that the capacitors are moving.

See also [“Determining Automatic Tuning Presets” on page 5-23](#) and [“Controlling a Variomatch Unit Attached to the Generator” on page 5-43](#).

Determining Automatic Tuning Presets

The automatic tuning preset values establish the initial positions for both the tune (**C Tune**) and load (**C Load**) capacitors before RF power turns on. This feature is useful for different process recipes. You can change the preset values to meet your specific process needs. Appropriate preset values vary widely from application to application, depending on operating variables such as the type of application gas, the amount of pressure in the chamber, and the configuration of the chamber.

To Determine Appropriate Preset Positions:

1. In an experimental chamber, turn on RF power at the expected power level.
2. Allow the CESAR generator to tune in manual tune control.
 - ▶ If the plasma ignites, use the Matching controls on the front panel to adjust the tuning parameters only slightly and find the optimum positions.
 - ▶ If the plasma fails to ignite, experiment to find a position where the plasma will ignite; then make small adjustments from that point to find the optimum positions.

OPERATING THE CESAR GENERATOR USING THE FRONT PANEL

The front panel allows you to monitor and change the CESAR generator settings. [Figure 5-4](#) illustrates the front panel control elements.

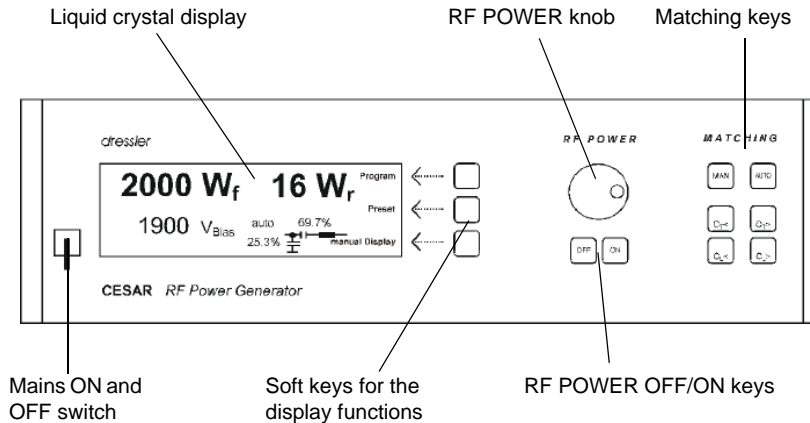


Figure 5-4. Front panel

The following sections describe how to operate the CESAR Generator using the features:

- Understanding the basic front panel control elements
- Using the front panel **Program** menu
- Setting and using **Preset** generator settings
- Using the display settings
- Controlling a Dressler Variomatch unit that connected to the generator through the matching interface

Understanding Basic Front Panel Control Elements

Table 5-3 on page 5-25 provides a general overview of the CESAR generator's front panel control elements. (See also Figure 5-4 on page 5-24.)

Table 5-3. Overview of CESAR front panel control elements

Control	General Description
Mains ON and OFF switch	<p>Located on the left-hand side of the front panel, the power ON and OFF switch allows you to turn the CESAR generator on and off from the mains.</p> <ul style="list-style-type: none"> • To power on the CESAR generator, turn the switch clockwise to a vertical position. • To power off the CESAR generator, turn the switch counter-clockwise to a horizontal position. <p><i>Note:</i> The ON/OFF power switch does not completely disconnect the Mains. You must install an external switch to completely disconnect Mains.</p>
LCD graphic display	<p>The liquid crystal display (LCD) allows you to read all operating conditions and power values.</p>
Soft key functions	<p>The three soft keys, located on the right side of the LCD, allow you to make changes in the program menu and set presets. For detailed information on these features, see “Using the Front Panel Program Menu” on page 5-26 and “Setting and Using Preset Generator Settings for Different Applications” on page 5-42.</p>
RF POWER OFF/ ON key	<p>The RF POWER OFF and ON key turn RF power off or on.</p> <ul style="list-style-type: none"> • To turn off RF power, press the left OFF key. • To turn on RF power, press the right ON key.

Table 5-3. Overview of CESAR front panel control elements (Continued)

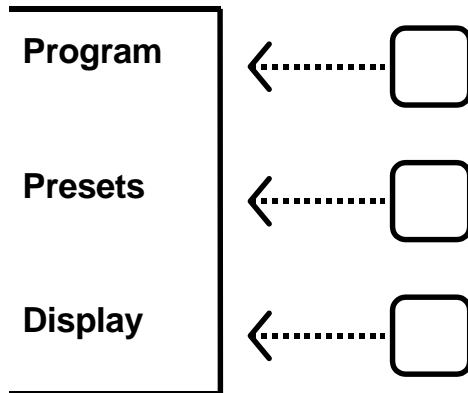
Control	General Description
RF POWER control knob	<p>The RF POWER rotary dial knob allows you to control RF power in forward power and load power regulation mode or DC bias in the external regulation mode (For a description of these regulation mode settings, see “Setting Regulation Mode” on page 5-15).</p> <p>This rotary knob is also used to select various values in the Program menu. (See “Using the Front Panel Program Menu” on page 5-26.)</p> <ul style="list-style-type: none"> • To increase a value, rotate the control knob clockwise. • To decrease a value, rotate the control knob counter-clockwise.
Matching control of Variomatch unit	<p>The matching control allows you to control operation of a Variomatch matching network that is connected to the Matching Interface on the generator. The matching control consists of four keys that change capacitor position. For detailed information, see “Controlling a Variomatch Unit Attached to the Generator” on page 5-43.</p> <p><i>Note:</i> These keys only control a Variomatch that is connected to the Matching Interface of the generator. These keys can not be used to control any other matching networks unless they are electrically compatible and are connected through the Matching Interface connector.</p>

Using the Front Panel Program Menu

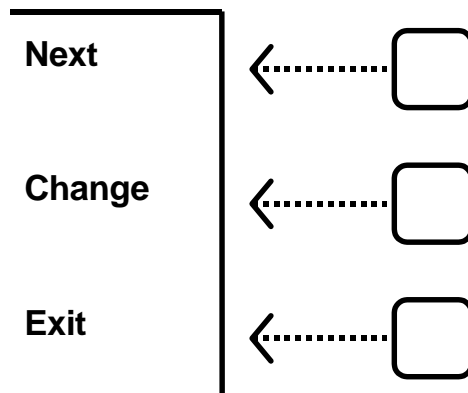
The CESAR generator features an operating menu that offers several enhanced functions. You can manually set these functions to meet your specific process needs, and you can store up to ten presets for ten different applications. (To set presets, see [“Setting and Using Preset Generator Settings for Different Applications” on page 5-42](#).)

ACCESSING THE PROGRAM MENU

To access the front panel program menu, press the **Program** soft key.



The LCD graphic display will change to display the program menu structure consisting of the **Next**, **Change**, and **Exit** soft keys.



- Press **Next** to cycle through the menu until you reach a desired function.
Note: You can only move forward through the program menu. To return to a previous function displayed on the menu screen, you must press **Next** repeatedly until you again reach the desired function.
- Press **Change** to view the submenu for any particular function, and follow the submenu prompts.
- Press **Exit** to exit the program menu to quit a menu or to execute or store the programmed settings.

ENTERING VALUES IN THE PROGRAM MENU

You may change a variety of parameters in the program menu by using a combination of the soft keys and the **RF POWER** rotary knob. Use the soft keys to make menu selections, and use the **RF POWER** rotary knob to set specific values. Then press the appropriate soft key to save that value.

Note: You can only move forward through the program menu. To return to a previous function displayed on the menu screen, you must press **Next** repeatedly until you again reach the desired function.

For more specific menu information, see [“Front Panel Program Menu Tree” on page 5-29](#)

FRONT PANEL PROGRAM MENU TREE

Figure 5-5 and Figure 5-6 illustrate the various menus and submenus available in the front panel program menu. The sections that follow explain each menu in greater detail.

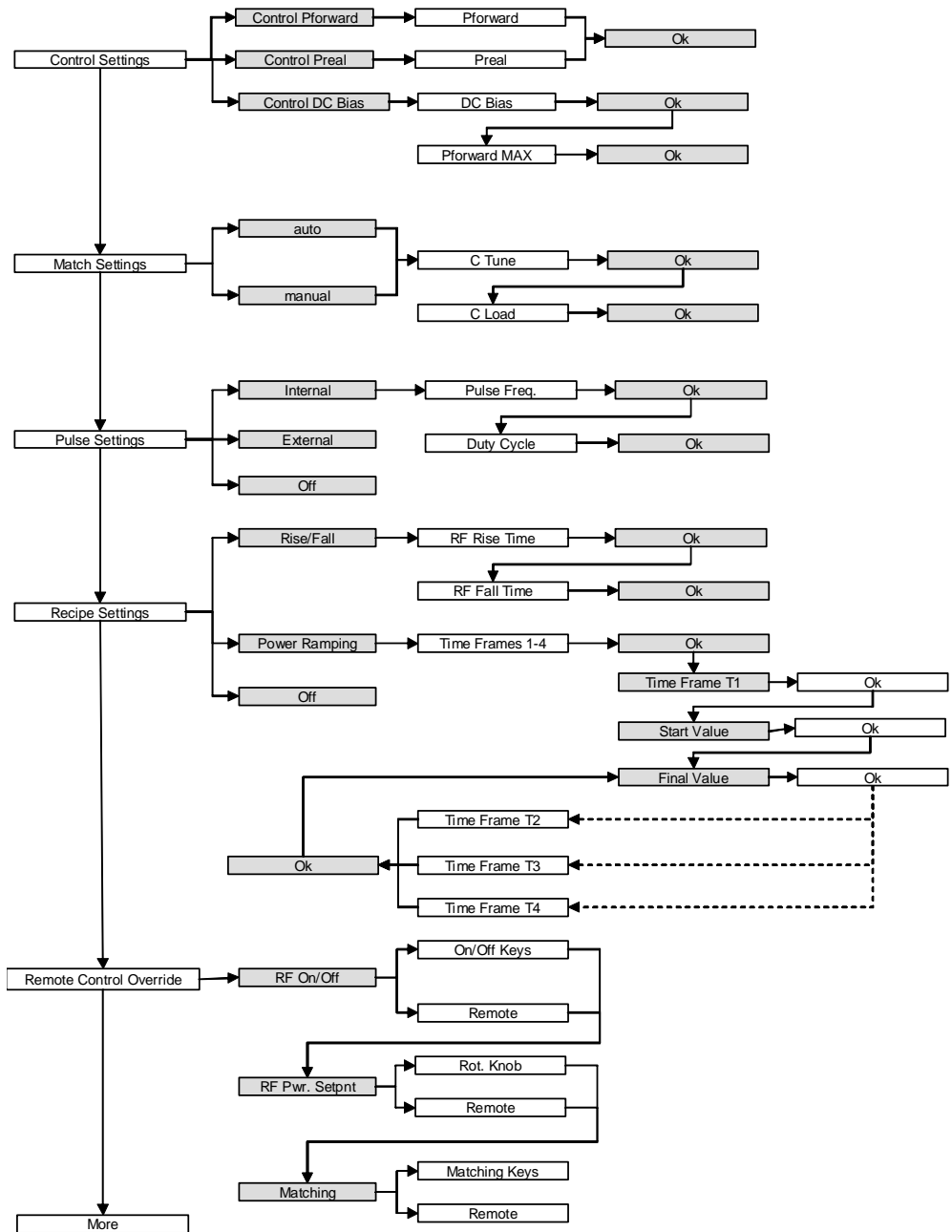


Figure 5-5. Front panel program menu tree

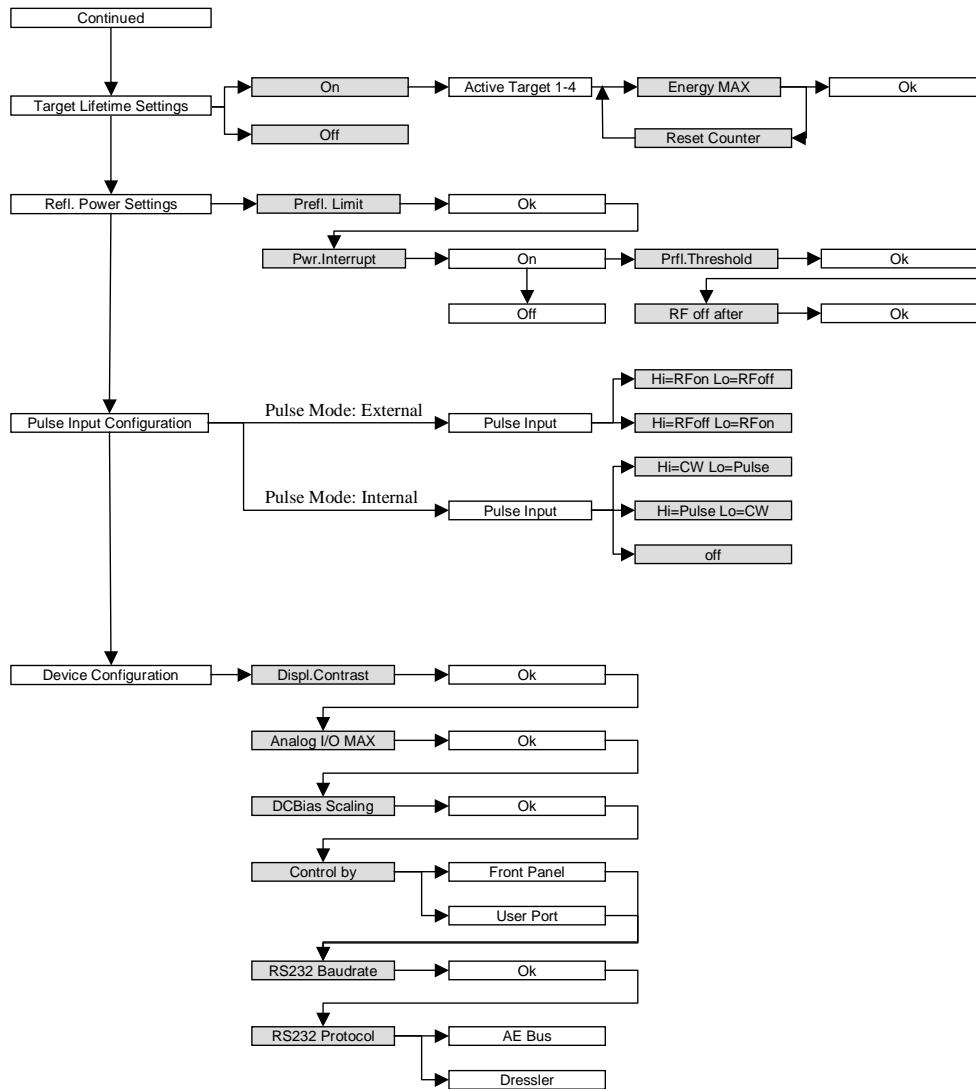


Figure 5-6. Front panel program menu tree (continued)

REGULATION MODE SETTINGS

The regulation mode settings allow you to choose among three RF power regulation mode settings to control the generator:

- Forward power regulation (P_{forward})
In forward power regulation, the CESAR Generator regulates RF power with constant forward power.
- Load power regulation, or delivered power regulation (P_{real})

In load power regulation, the CESAR Generator regulates RF power with constant load (real) power.

- External power regulation (DC Bias)

In external power regulation, the CESAR Generator regulates RF power at a constant DC self bias voltage in the chamber. The RF output power can be limited to protect your plasma chamber against high RF power. This limitation is useful if there is no self bias voltage in the beginning of the process.

To Select a Regulation Mode Using the CESAR Generator Front Panel:

1. Press the **Program** soft key.
2. Press **Next** until you see **Control Settings** on the display.
3. Press **Change**.
4. Press the soft key for the desired regulation mode: **Control P_{forward}**, **Control P_{real}**, or **Control DC Bias**.
5. For **P_{forward}** or **P_{real}** regulation mode, set the desired power set point between 0 W and 600 W using a combination of the **Increm Auto** key and the **RF POWER** dial knob.
6. For **DC Bias** control, set a DC Bias value using a combination of the **Increm Auto** key and the **RF POWER** dial knob.
 - ▶ The value can be between 0 V and 4000 V

Note: 4000 V is the default value. To change the default settings, see [“To Change the Default Device Configuration Settings Using the CESAR Generator Front Panel:”](#) on page 5-41
7. Press **Ok** to confirm.
8. For **DC Bias** control, set a P_{forward} maximum value between 60 W and 600 W using a combination of the **Increm Auto** and the **RF POWER** dial knob.
9. Press **Ok** to confirm.
10. Press **Exit**.
11. Press **Execute**.

The operating screen will change to display the new control settings and values.

MATCH SETTINGS

If your RF power delivery system includes a Dressler Variomatch connected to the matching interface of the CESAR generator, you can use this function to control the matching network. This function enables you to set initial tuning

capacitor positions (in manual tune control) or to set tuning capacitor presets (in automatic tune control). For information on the matching interface, see [“Matching Interface” on page 4-9](#).

Note: These controls only work with a Variomatch that is connected to the matching interface of the generator. This function can not be used to control any other matching networks unless they are electrically compatible and are connected through the **Matching Interface** connector.

You may choose between:

- Manual tune

In manual tune control, the automatic tuning feature is disabled, and you can manually set the tune and load capacitor positions of the Variomatch unit.

- Automatic tune

In automatic tune control, the Variomatch unit sets presets to automatically adjust the capacitor positions and minimize reflected power. See [“Setting Automatic Tune Control” on page 5-22](#) for additional information.

To Select Tuning Control Using the CESAR Generator Front Panel:

1. Press the **Program** soft key.
2. Press **Next** until you see **Match Settings** on the display.
3. Press **Change**.
4. Press **auto** for automatic tune control; press **man** for manual tune control.
5. Select the desired **C Tune** position using the **RF POWER** rotary dial knob.
 - ▶ You may select values between 40 and 960.
6. Select **Ok** to confirm.
7. Select the desired **C Load** position using the **RF POWER** rotary dial knob.
 - ▶ You may select values between 40 and 960.
8. Press **Ok** to confirm.
9. Press the **Exit** soft key.
10. Press the **Execute** soft key.

The capacitors will move to the tune positions, and the associated position values will begin to flash on the display. To manually change the capacitor positions from these initial positions, see [“To Adjust the Tune and Load Capacitors Using the CESAR Generator Front Panel:” on page 5-44](#).

SETTING THE PULSE FUNCTION

The CESAR generator's pulse function allows you to switch on the RF power (at a given set point) and switch it off with the pulse frequency. You may to select between:

- Internal pulsing

Internal pulsing modifies the *pulse repetition frequency* (PRF). The waveform is always a rectangle; the power is given by the set point.

- External pulsing

The pulsing of the Cesar generator will work according to the pulse input configuration settings. See ["Changing the Pulse Input Configuration Settings" on page 5-39](#).

To Select Internal or External Pulsing Using the CESAR Generator Front Panel:

1. Press the **Program** soft key.
2. Press **Next** until you see **Pulse Settings** on the display.
3. Press **Change**.
4. Press **Internal** for internal pulsing; press **External** for external pulsing.
5. For internal pulsing:
 - a. Select the desired **Pulse Freq.** value between 1 Hz and 30 kHz or less (depending on the factory setting for pulsing) using a combination of the **Incram Auto** button and the **RF POWER** rotary dial knob.
 - b. Press **Ok** to confirm.
 - c. Select a duty cycle value between 1% to 99% using the **RF POWER** rotary dial knob.

Note: The duty cycle is a function of the pulse repetition frequency (PRF), and the wide range of 1% to 99% only exists at low pulse frequencies. The higher the PRF, the lower the possible duty cycle range. For example, at 30 kHz PRF, the duty cycle is limited to 40% to 60%.

6. Press **Ok** to confirm.
7. Press the **Exit** soft key.
8. Press the **Execute** soft key.

The operating screen will change to display the pulsing status.

To Turn Off Pulsing Using the CESAR Generator Front Panel:

1. Press the **Program** soft key.
2. Press **Next** until you see **Pulse Settings** on the display.

3. Press **Change**.
4. Press **Off** to turn off the pulsing feature.
5. Press the **Exit** soft key.
6. Press the **Execute** soft key.

RECIPE SETTINGS

This feature enables you to create a power profile that may consist of up to four time frames. You can choose to program one of the two recipe settings using the CESAR Generator front panel:

1. Rise/fall time

This feature allows gradual, well-controlled development of the rising and falling edge of the RF power envelope, which differs significantly from common RF power functionality with its fast and uncontrolled rise time. You can program your “critical plasma system” to strike smoothly with a well-controlled rising edge of the RF power.

2. Power ramping

Power ramping allows you to determine the shape of a power ramp within a specified time frame. There are four programmable time frames.

To Create the Rise/fall Recipe Using the CESAR Generator Front Panel:

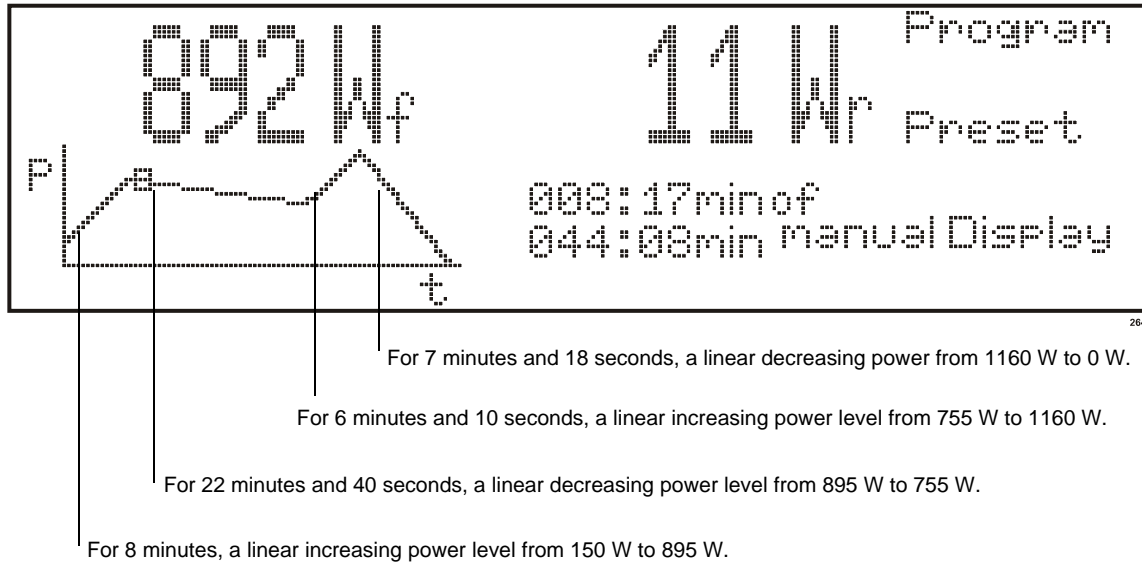
1. Press the **Program** soft key.
2. Press **Next** until you see **Recipe Settings** on the display.
3. Press **Change**.
4. Press **Rise/Fall**.
5. Set the RF rise time between 0.1 s and 60 s using a combination of the **Increm Auto** key and the **RF POWER** rotary knob.
6. Press **Ok** to confirm.
7. Set the RF Fall time between 0.1 s and 60 s using a combination of the **Increm Auto** key and the **RF POWER** rotary knob.
8. Press **Ok** to confirm.

To Create the Power Ramping Recipe Using CESAR Generator Front Panel:

1. Press the **Program** soft key.
2. Press **Next** until you see **Recipe Settings** on the display.
3. Press **Change**.
4. Press **Power Ramping**.
 - a. Select the number of time frames (1 to 4) you want to use in your recipe

- using the **RF POWER** rotary knob.
- b. Press **Ok** to confirm.
 - c. Set a time for T1 (the recipe's first power ramp) between 0.1 s and 60 minutes using a combination of the **Increm Auto** key and the **RF POWER** rotary knob.
 - d. Press **Ok** to confirm.
 - e. Set a **Start Power** value for T1 between 0 W and 600 W using a combination of the **Increm Auto** key and the **RF POWER** rotary knob.
 - f. Set a **Final Power** value for T1 between 0 W and 600 W using a combination of the **Increm Auto** key and the **RF POWER** rotary knob.
 - g. Press **Ok** to confirm.
 - h. Set a time for T2 (the recipe's second power ramp) between 0.1 and 60 minutes using a combination of the **Increm Auto** key and the **RF POWER** rotary knob.
 - i. Press **Ok** to confirm.
 - j. The **Start Power** value will display as the final value of T1; set a **Final Value** for T2 between 0 W and 600 W using a combination of the **Increm Auto** key and the **RF POWER** rotary knob.
 - k. Repeat the last three steps to set time frames for T3 and T4 (the recipe's third and fourth power ramps).
5. Press **Ok** to confirm.
 6. Press the **Exit** soft key.
 7. Press the **Execute** soft key.

The operating screen will change to display the current recipe status. See the following illustration for an example.



The **Recipe Settings** operating screen displays the actual position on the ramp by a moving cursor point, in addition to the start and total running time.

If RF power is turned off during the **Recipe Settings** function, by hand, or error, then the time stops. You may then:

- Press **Quit** to stop.
- Press **Restart** to start from the beginning.
- Press **Continue last val** to continue at the same position you stopped at before.

To Turn Off the Recipe Settings Feature Using the CESAR Generator Front Panel:

1. Press the **Program** soft key.
2. Press **Next** until you see **Recipe Settings** on the display.
3. Press **Change**.
4. Press **Off** to turn off the feature.
5. Press the **Exit** soft key.
6. Press the **Execute** soft key.

SETTING REMOTE CONTROL OVERRIDE

Remote Control Override allows you operate the CESAR generator using a combination of front panel control (local) and analog or digital (remote) control. You may control the generator remotely yet retain the following front panel (local) functions:

- Rotary dial knob control
See [“RF POWER control knob” on page 5-26](#) for detailed information on this front panel control.
- RF POWER Off/On keys
See [“RF POWER OFF/ON key” on page 5-25](#) for detailed information on these front panel control keys.
- Matching controls
See [“Matching control of Variomatch unit” on page 5-26](#) and [“Controlling a Variomatch Unit Attached to the Generator” on page 5-43](#) for detailed information on these front panel control keys and how to use them.

Note: Normally, when using remote control, all front panel controls are disabled.

To Select Remote Control Override Using the CESAR Generator Front Panel:

1. Press the **Program** soft key.
2. Press **Next** until you see **Remote Control Override** on the display.
3. Press **Change**.
4. To use the **RF ON/OFF** front panel controls, press **On/Off Keys**; to leave these controls as remote functions only, press **Remote**.
5. To use the **Rot. Knob** front panel control, press **Rot.Knob**; to leave this control as a remote function, press **Remote**.
6. To use the **Matching** front panel controls, press **Matching Keys**; to leave these controls as remote functions only, press **Remote**.
7. Press the **Exit** soft key.
8. Press the **Execute** soft key.

To Disable Remote Control Override Using the CESAR Generator Front Panel:

When you disable **Remote Control Override** control, the generator will default to remote control if it is connected to an analog **User Port**; otherwise, if there is no analog **User Port** present, it will default to front panel (local) control.

1. Press the **Program** soft key.
2. Press **Next** until you see **Remote Control Override** on the display.
3. Press **Change**.

4. Select **Remote** for each of the options.
5. Press the **Exit** soft key.
6. Press the **Execute** soft key.

SETTING TARGET LIFETIME PARAMETERS

In the **Target Lifetime** menu, you may program up to four target lifetime settings to integrate power and time. The CESAR generator will display a warning when the meter reading reaches the value of **Energy Max**.

To Set a Target Lifetime Using the CESAR Generator Front Panel:

1. Press the **Program** soft key.
2. Press **Next** until you see **Target Lifetime Settings** on the display.
3. Press **Change**.
4. Press **On** to activate the lifetime counter.
5. Select an **Active Target** (1 to 4) using the **RF POWER** rotary knob.
6. Select the **Energy MAX** (between 0.01 kWh and 21600 kWh) using a combination of the **Auto Increm.** button and the **RF POWER** rotary knob.
7. Press **Ok** to confirm.
8. Press the **Exit** soft key.
9. Press the **Execute** soft key.

To Turn Off the Target Lifetime Feature Using the CESAR Generator Front Panel:

1. Press the **Program** soft key.
2. Press **Next** until you see **Target Lifetime Settings** on the display.
3. Press **Change**.
4. Press **Off**.
5. Press the **Exit** soft key.
6. Press the **Execute** soft key.

To Reset a Target Lifetime Using the CESAR Generator Front Panel:

Note: Reset starts the counter to zero.

1. Press the **Program** soft key.
2. Press **Next** until you see **Target Lifetime Settings** on the display.
3. Press **Change**.
4. When **Active Target** appears, press **On**.
5. When **Energy MAX** appears, press **Ok**.

6. Press **Reset** to reset the lifetime counter.
7. Press **Ok** when the reset message appears.
8. Press **Ok**.
9. Press the **Exit** soft key.
10. Press the **Execute** soft key.

REFLECTED POWER SETTINGS

The CESAR generator can tolerate continuous reflected power; however, it allows you to set a value at which the forward power will fold back when the reflected power reaches a certain limit for a specified period of time. The **Reflected Power Settings** menu allows you to create a *reaction profile* to shut off RF power when the reflected power reaches this limit.

To Set a Reflected Power Reaction Profile Using the CESAR Generator Front Panel:

1. Press the **Program** soft key.
2. Press **Next** until you see **Reflected Power Settings** on the display.
3. Press **Change**.
4. Set a **Prefl. Threshold** between 20 W and 200 W using the **RF POWER** rotary knob.
5. Press **Ok**.
6. If you want the generator to shut off when it reaches this limit for a specified period of time, press **On**. Otherwise, press **Off**.
 - a. If you select **On**:
 - ▶ Set the desired **max refl.** value (between 12 W and 180 W) using the **RF POWER** rotary dial knob.
 - ▶ Set the desired **RF Off After** value (between 1 μ s and 3 m 20 s) using the **RF POWER** rotary dial knob.
 - ▶ Press **Ok** to confirm.
7. Press the **Exit** soft key.
8. Press the **Execute** soft key.

CHANGING THE PULSE INPUT CONFIGURATION SETTINGS

Before changing the pulse input configuration settings, you must first turn on the pulsing function. For more information, see [“To Select Internal or External Pulsing Using the CESAR Generator Front Panel:” on page 5-33.](#)

The configuration settings allow you to program the “polarity” of the CESAR generator's pulse input function.

To Set the Pulsing Input Parameters Using the CESAR Generator Front Panel:

1. Press the **Program** soft key.
2. Press **Next** until you see **Pulse Input Configuration** on the display.
3. Press **Change**.
4. Select the desired “polarity” of the pulse input:
 - a. If the pulse function is set to external pulsing, choose either:
 - ▶ **Hi=RFon**
Low=RFoff

This setting enables standard external pulsing.
 - ▶ **Hi=RFoff**
Low=RF on

This setting enables inverse external pulsing.
 - b. If the pulse function is set to internal pulsing, choose from:
 - ▶ **Hi=CW**
Low=Pulse

This setting switches between internal pulsing and continuous power with the pulse input at a high state.
 - ▶ **Hi=Pulse**
Low=CW

This setting switches between internal pulsing and continuous power with the pulse input at a low state.
 - ▶ **Off**

This setting disables the pulse input. Normal internal pulsing is used.
5. Press the **Exit** soft key.
6. Press the **Execute** soft key.

CHANGING THE DEVICE CONFIGURATION SETTINGS

The **Device Configuration** feature allows you to change the factory default settings and customize the CESAR generator to meet your specific needs. You can change the following parameters:

- Display contrast

Display contrast allows you to adjust the contrast (brightness) of the LCD graphic display.
- Analog I/O range

The analog interface level is factory set to the most common level range of 0 V to 10 V. However, you may reprogram this value by changing the maximum voltage of possible analog interface levels from 2 V to 10 V. These levels apply to all analog inputs and outputs on the user port.

- DC Bias Scaling

You may set the maximum DC bias in volts from 0 V to 4000 V (in increments of 1, 10, 100, 10000, and Auto). 4000 V is the default value.

- Control by

This feature lets you choose between **Front Panel** control and **User Port** control in which the generator will try to detect the **User Port**.

- RS232 baud rate

If your CESAR generator has an RS-232 port, this function allows you to select the desired baud rate: 9600, 19200, 38400, 56000, or 115200.

Note: To determine if you have an RS-232 port, see [“Understanding Model 136 Options” on page 1-2.](#)

- RS232 protocol

If your CESAR generator has an RS232 port, the RS-232 protocol is factory-set to **AE Bus**, and most CESAR generators will use the default AE Bus protocol (see [“AE Bus Protocol” on page 4-46](#)). However, a previous protocol (**Dressler**) is available for compatibility.

Note: To determine if you have an RS-232 port, see [“Understanding Model 136 Options” on page 1-2.](#)

To Change the Default Device Configuration Settings Using the CESAR Generator Front Panel:

1. Press the **Program** soft key.
2. Press **Next** until you see **Device Configuration** on the display.
3. Press **Change**.
4. Select the desired **Displ. Contrast** value using the **RF POWER** rotary dial knob.
5. Press **Ok** to confirm.
6. Press the desired **Analog I/O Max** level using the **RF POWER** rotary dial knob.
 - ▶ You may select values between 2 V and 10 V.
7. Press **Ok** to confirm.
8. Select the desired **DC Bias Scaling** using the **RF POWER** rotary dial knob.

- ▶ You may select values between 0 V and 4000 V using a combination of the **Increm Auto** key and the **RF POWER** rotary dial.
- 9. Press **Ok** to confirm.
- 10. Press the desired **Control by** setting:
 - ▶ **Front Panel** defaults to front panel control.
 - ▶ **User Port** defaults to **User Port** control.
- 11. If your CESAR generator has an RS-232 port, select the desired **RS232 Baud Rate** value using the **RF POWER** rotary dial knob.
- 12. Press **Ok** to confirm.
- 13. If your CESAR generator has an RS-232 port, select the desired **RS232 Protocol**.
 - ▶ **AE BUS** is the standard protocol for CESAR generators.
 - ▶ **Dressler** is available for compatibility only.
- 14. Press **Ok** to confirm.
- 15. Press the **Exit** soft key.
- 16. Press the **Execute** soft key.

Setting and Using Preset Generator Settings for Different Applications

You can set the various front panel functions to meet your specific process needs, and you can store up to five presets (1 through 5) for five different applications. The presets store all settings in the program menu except pulse input configuration and device configuration. Preset 0 is reserved for factory settings and can be accessed read-only.

To Store a Preset Using the CESAR Generator Front Panel:

1. Set all of the desired parameters using the front panel program menu (see [“Using the Front Panel Program Menu” on page 5-26](#)).
2. After you have made the appropriate program menu selections, you will have the option to **Execute**, **Store Preset**, or **Quit**.
3. Press **Store Preset**. The settings for this particular preset will flash on the front panel.

To Erase a Preset Using the CESAR Generator Front Panel:

1. Go to the preset number you wish to erase. (When you select a number, the settings for each particular preset will flash on the front panel).
2. Press **Quit**.

To Use a Preset:

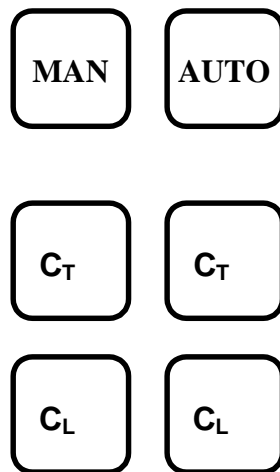
1. Go the preset you wish to select. (When you select a number, the settings for each particular preset will flash on the front panel)
2. Press **Execute**.

Controlling a Variomatch Unit Attached to the Generator

When a Dressler Variomatch is connected to the matching interface of the CESAR generator and set to manual tune, you can adjust the tune and load positions using the following Matching controls on the front panel. (For information on the matching interface, see [“Matching Interface” on page 4-9.](#))

Note: These keys only control a Variomatch that is connected to the matching interface of the generator. These keys can not be used to control any other matching networks unless they are electrically compatible and are connected through the **Matching Interface** connector.

If you wish to use the **Host** port for primary generator control, yet retain Variomatch control on the front panel, you must set the generator to **Remote Control Override** (see [“Using the Remote Control Override” on page 5-47.](#))



First, ensure that unit is set to manual tune control using one of the following procedures. See [“To Set the Initial C Tune and C Load Positions in Manual Mode With the CESAR Generator Front Panel:” on page 5-21](#) or [“To Select Manual Tune Through the Host Port:” on page 5-21.](#)

To Adjust the Tune and Load Capacitors Using the CESAR Generator Front Panel:

Use the four capacitor keys on the CESAR generator front panel to adjust the tune and load capacitor positions (see [Table 5-4](#)). When you press one of these keys, the associated variable capacitor will turn in the chosen direction. The actual capacitor position will flash on the front panel display.

Table 5-4. *Adjusting Variomatch capacitors*

Capacitor Key	Description
$C_T <$	This key moves the variable tune capacitor in a counter-clockwise direction and decreases the value of the tune capacitor.
$C_T >$	This key moves the variable tune capacitor in a clockwise direction and increases the value of the tune capacitor.
$C_L <$	This key moves the load capacitor in a counter-clockwise direction and decreases the value of the load capacitor.
$C_L >$	This key moves the load capacitor in a clockwise direction and increases the value of the load capacitor.

Note: Improper use of this feature may cause the Variomatch unit to search but fail to tune or to exhibit modulated power delivery. These conditions are characterized by nonstable plasma glow or flickering plasma. See [“Troubleshooting Guide” on page 6-2](#) for more detailed information.

UNDERSTANDING ADDITIONAL OPERATING FUNCTIONS

Using the Pulsing Function

The CESAR generator’s pulse function allows you to switch on the RF power (at a given set point) and switch it off with the pulse frequency. You may select between:

- Internal pulsing

Internal pulsing modifies the *pulse repetition frequency* (PRF). The waveform is always a rectangle; the power is given by the set point. The internal pulse generator is configurable for pulse frequencies between 1 Hz and 30 kHz and duty cycles between 1% and 99%.

- External pulsing

The pulsing of the Cesar generator will work according to the gating pulse signal applied to the analog **User Port**. The pulse-gating signal must be of a 5 V TTL/CMOS level.

To Select Internal or External Pulsing Through the Host Port:

If you are using **RS-232**, **PROFIBUS**, or **Ethernet** to control and monitor the CESAR generator:

1. Set the desired pulse setting:
Send one data byte for command **27** (see [Table 4-16 on page 4-64](#)):
 - ▶ 0 = Pulsing off
 - ▶ 1 = Internal pulsing
 - ▶ 2 = External pulsing
 - ▶ 3 = External pulsing inverted
 - ▶ 4 = Enable internal pulsing by external pulsing input
2. Set the desired pulse frequency value:
Send three data bytes, least significant byte first, for command **93** representing the pulsing frequency in Hertz (see [Table 4-16 on page 4-64](#)).
3. Select a duty cycle value:
Send two data bytes, least significant byte first, for command **96** representing the duty cycle as a percentage (see [Table 4-16 on page 4-64](#)).

To Select Internal or External Pulsing Using the CESAR Generator Front Panel, see instructions on [page 5-33](#).

Creating Recipes

This feature enables you to create a power profile that may provide up to four time frames. You can choose to program one of the two recipe settings using the CESAR generator front panel:

1. Rise/fall time recipe

This feature allows gradual, well-controlled development of the rising and falling edge of the RF power envelope, which differs significantly from common RF power functionality which has a fast and uncontrolled rise time. You can program your “critical plasma system” to strike smoothly with a well-controlled rising edge of the RF power.

- ▶ The rising edge of the RF envelope can be set to have a linear rise time of 0.1 seconds to 60 seconds. The time increment is 0.1 seconds.
- ▶ The falling edge of the RF envelope can be set to have a linear fall time of 0.1 seconds to 60 seconds. The time increment is 0.1 seconds.

2. Power ramping recipe

The function mode allows you to determine the shape of a power ramp within a certain time frame. There are four programmable time frames. For each time frame, you may control the following parameters:

- Set the time duration of the presence of RF power from 0.1 second to 1440 minutes
- Set the start value of the RF power in watts
- Set the end value of the RF power in watts

Creating Recipes Through the Host Port:

If you are using **RS-232**, **PROFIBUS**, or **Ethernet** to control and monitor the CESAR generator:

Note: For host port commands, see [Table 4-16 on page 4-64](#).

1. Set the number of recipes:
Send one data byte for command **19**, representing the desired number of recipe steps.
2. Specify the ramp time for each given recipe using command **21**:
 - a. Send one byte to select the step number 1 to 2
 - b. Send two bytes to set the ramp time value.
3. Specify the set point for each given recipe step using command **22**:
 - a. Send one byte to select the recipe step number 1 to 2
 - b. Send two bytes to specify the set point value.
4. Set the run time for each given recipe using command **23**:
 - a. Send one byte to select the recipe step number 1 to 2.
 - b. Send two bytes to set the run time in seconds.
5. Set the ramping rise time:
Send two bytes, least significant byte first, for command **31**, representing the ramping rise time in tenths of a second.
6. Set the ramping fall time:
 - a. Send two bytes, least significant byte first, for command **32**, representing the ramping fall time in tenths of a second.

To Create Recipes Using the CESAR Generator Front Panel, see instructions on [page 5-47](#).

Using the Remote Control Override

Remote Control Override allows you operate a CESAR generator using a combination of front panel control (local) and analog or digital (remote) control. If the generator is connected to an analog **User Port**, you may control the generator remotely yet retain the following front panel (local) functions:

- Rotary dial knob control
See [“RF POWER control knob” on page 5-26](#) for detailed information on this front panel control.
- RF POWER Off/On keys
See [“RF POWER OFF/ON key” on page 5-25](#) for detailed information on these front panel control keys.
- Matching controls
See [“Matching control of Variomatch unit” on page 5-26](#) and [“Controlling a Variomatch Unit Attached to the Generator” on page 5-43](#) for detailed information on these front panel control keys and how to use them.

Note: Normally, when using remote control, all front panel controls are disabled.

To Select Remote Control Override Through the Host Port:

If you are using **RS-232**, **PROFIBUS**, or **Ethernet** to control and monitor the CESAR generator:

1. Send command **29** (see [Table 4-16 on page 4-64](#)).

To Select Remote Control Override Using the CESAR Generator Front Panel, see instructions on [page 5-37](#).

Setting a Target Lifetime

In the **Target Lifetime** menu, you may program up to four target lifetime settings to integrate the product of power and time. The CESAR generator will display a warning when it reaches a specified target lifetime value in kilowatt-hours.

The lifetime of a target depends primarily on the energy dissipated by this target. Thus, the target lifetime counter is an energy meter that monitors time and the output power. For working with different targets you can set up and choose among four target lifetime counters. Only one may be active at a time.

To Set a Target Lifetime Through the Host Port:

If you are using **RS-232**, **PROFIBUS**, or **Ethernet** to control and monitor the CESAR generator:

1. Specify the number of targets:
Send one byte for command 11 (see [Table 4-16 on page 4-64](#)).
2. Set the target life with command 12 (see [Table 4-16 on page 4-64](#)).
 - a. Send one byte to select the target number (1 to 4).
 - b. Send the remaining bytes 2 through 5 to specify the target life in kilowatt hours.

Note: A decimal is implied (for example, 100 = 1 kWh).

To Set a Target Lifetime Using the CESAR Generator Front Panel, see instructions on [page 5-38](#).

Changing Reflected Power Settings

Normally, a generator delivers continuous reflected power; however, the CESAR generator allows you to set a value at which the forward power will fold back when the reflected power reaches a certain limit for a specified period of time. The **Reflected Power Settings** menu allows you to create a “reaction profile” to shut off RF power when the reflected power reaches this limit.

To Set a Reflected Power Reaction Profile Through the Host Port:

If you are using **RS-232**, **PROFIBUS**, or **Ethernet** to control and monitor the CESAR generator, set the reflected power parameter using command **33** (see [Table 4-16 on page 4-64](#)).

1. Send one byte to set the time until RF is turned off in seconds.
2. Send the remaining bytes 2 and 3 to set the reflected power detection level in watts.

To Set a Reflected Power Reaction Profile Using the CESAR Generator Front Panel, see instructions on [page 5-39](#).

CONNECTING TO AN ETHERNET-ENABLED UNIT WITH A WEB BROWSER

Your CESAR Generator may include an **Ethernet** port, which allows you to create a Modbus/TCP network connection between the unit and your local area network (LAN). This section provides information on connecting to an Ethernet-enabled unit with a web browser.

For more information on the Ethernet connection, see also [“Host Port—Ethernet \(Modbus/TCP\)” on page 4-57](#) and [“Connecting and Setting Ethernet \(Modbus/TCP\) Communication” on page 5-9](#).

To Connect to an Ethernet-enabled CESAR Generator With a Web Browser:

1. Open a standard Web browser program.
2. Type the CESAR generator’s IP address into the Web browser **Address** field.

If you have trouble connecting, ensure that:

- The CESAR generator is connected to the network through the **Ethernet** port. (see [“Connecting and Setting Ethernet \(Modbus/TCP\) Communication” on page 5-9](#) for more information).
- The CESAR generator is receiving proper input power (for specifications, see [Chapter 3, “Electrical Specifications”](#)).
- You are typing in the correct IP address (see [“Setting the IP Configuration for Ethernet Communication” on page 5-9](#) for information on the default IP address and on resetting the IP address).
- The BootP server found the CESAR generator’s MAC address (if you are using a BootP server to change the IP address).

If you continue to have trouble, refer to the troubleshooting section of the Online Help for the BootP utility software that came with the unit (on a CD-ROM) or contact Customer Support.

Troubleshooting and Customer Support

This chapter contains basic troubleshooting information, as well as procedures for returning a unit for repair.

BEFORE CONTACTING CUSTOMER SUPPORT

Before contacting Customer Support, perform the following steps or procedures.

Checks With the Power Off

1. Ensure that the power to the unit is off.



WARNING:

RISK OF DEATH OR BODILY INJURY. Disconnect and lockout/tagout all sources of input power before working on this unit or anything connected to it.

2. Check for visible damage to the unit, cables, and connectors.
3. Ensure that all unit connectors are installed correctly and fastened tightly.
4. Check to determine whether any system-related circuit breakers have been tripped.
5. Verify that the input power to the unit meets specifications.
6. Ensure ground connections are adequate and secure.

Checks With the Power On

1. Check the unit's input and remote power connections to ensure the proper power is being supplied to the unit.

Troubleshooting Guide

The following questions may help solve troubleshooting problems.

GENERAL TROUBLESHOOTING

Use the following procedure to troubleshoot general problems.

1. Did you install the CESAR generator according to the installation instructions in this manual?
 - ▶ If *yes*, go to the next step.
 - ▶ If *no*, reinstall the CESAR generator as described in [“Installing the CESAR Generator” on page 5-3](#).
2. Is the mains voltage within specifications?
 - ▶ If *yes*, go to the next step.
 - ▶ If *unsure* or *no*, see [“Incorrect Input Voltage” on page 6-5](#).
3. Is the interlock satisfied?
 - ▶ If *yes*, go to the next step.
 - ▶ If *unsure* or *no*, see [“Interlock Not Satisfied” on page 6-3](#).
4. Is the front panel display (LCD) lit?
 - ▶ If *yes*, go to the next step.
 - ▶ If *no*, see [“Front Panel Display \(LCD\) Not Lit” on page 6-4](#).
5. Check the front panel display for any fault (EXX) or warning (WXX) messages.
 - ▶ If there is no warning or error message on the display, go to the next step.
 - ▶ If there is an error or warning message on the display, see [“Checking for and Resolving Errors and Warnings” on page 6-7](#).
6. Does the CESAR generator communicate with the host computer?
 - ▶ If *yes*, go to the next step.
 - ▶ If *no*, see [“Communication Problems” on page 6-4](#).
7. For any other general problems, contact Customer Support (see [“Customer Support” on page 6-14](#)).

MATCHING NETWORK TROUBLESHOOTING

Use the following procedure to troubleshoot potential problems with the matching network.

1. Did you install the matching network according to the instructions in the manual?
 - ▶ If *yes*, go to the next step.
 - ▶ If *unsure* or *no*, check installation or reinstall according to the manual that came with the matching network.
2. Did you verify that the impedance range of the matching network is appropriate to the load?
 - ▶ If *yes*, go to the next step.
 - ▶ If *unsure* or *no*, see [“Improper Impedance Range” on page 6-5](#).
3. Did you properly establish the RF connections between the generator and the matching network as well as between the matching network and the load?
 - ▶ If *yes*, go to the next step.
 - ▶ If *unsure* or *no*, see [“Improper RF Connection or Cabling” on page 6-5](#).
4. Did you establish proper common grounding for the generator, matching network, and load?
 - ▶ If *yes*, go to the next step.
 - ▶ If *unsure* or *no*, see [“Improper Grounding” on page 6-6](#).
5. Did you establish the correct interface connection for remote control of the matching network?
 - ▶ If *yes*, but you are still having trouble, refer to the troubleshooting section of the matching network manual.
 - ▶ If *unsure* or *no*, see [“Improper Interface Connection” on page 6-6](#).
6. If these steps have not resolved the problem, contact Customer Support (see [“Customer Support” on page 6-14](#)).

Interlock Not Satisfied

You must satisfy the interlock connection, even if you do not connect the CESAR generator into a larger system interlock loop.

- To create hardware interlocks using the 25-pin **User Port**, see pins 10 and 23 in [Table 4-2 on page 4-14](#).
- If you have a 15-pin **User Port**, ensure external contact closure between the **Interlock** pins 1 and 2 (see [Table 4-3 on page 4-31](#)).

Note: To determine which option you have see [“Understanding Model 136 Options” on page 1-2](#).

Front Panel Display (LCD) Not Lit

The front panel display should operate as soon as the front panel **ON/OFF** switch is turned on. Verify that the:

1. Front panel **ON/OFF** switch is in the **ON** position.
2. Input line voltage is 230 VAC (187 VAC to 253 VAC), 1 ϕ .

Communication Problems

Several factors can cause communication problems:

- Poor grounding
Ensure that the communication cable shield is properly grounded. Ensure that the generator and the matching network are properly grounded according to the instructions in [“Grounding” on page 5-4](#) and the installation section of the matching network manual.
- Improper cabling
Ensure that each of the communication cables matches the specifications listed in the associated sections of [Chapter 4, “Communication Interfaces.”](#)
- Incorrect baud rate (RS-232 Host port only)—
Ensure that the baud rate used by the host computer and the baud rate set in the CESAR generator are the same (see [“RS-232 Transmission Parameters” on page 4-45](#)).
- Incorrect or corrupt data packet
Verify that the data packet has been set up correctly (see [“AE Bus Protocol” on page 4-46](#)).
- Commands transferring too fast
Ensure the commands are sent to the CESAR generator at a rate less than 1 command every 50 milliseconds (20 commands per second) if you are not using the recommended handshaking protocol described in [“Creating an Ideal Communications Transaction” on page 4-49](#).

Capacitor Failure

The CESAR generator is compatible with a Dressler Variomatch or a matching network with the same control functions and electronic topology. Several factors could cause the Variomatch capacitors to fail:

- No or incorrect power or input voltage
- The unit set for incorrect tuning control
- Incorrect parameters set for the unit

Incorrect Input Voltage

Ensure that the input voltage to the unit is within specifications (see “[Electrical Specifications](#)” on page 3-4).

Ensure that the input connector is connected to the correct pins, see “[Installing the CESAR Generator](#)” on page 5-3).

Once you have verified that you have the correct input voltage and connection, disconnect the input voltage and reconnect it. The capacitors should initialize, creating a high frequency for approximately 5 seconds and then stop.

Improper Impedance Range

A variety of problems can occur if the specifications of the connected matching network do not correspond to basic application parameters such as impedance, current, voltage, phase angle, forward power, and reflected power. These problems can include:

- Difficulty igniting plasma
- Difficulty achieving expected minimum reflected power with manual or automatic tuning by the matching network
- Arcing inside the matching network

You can change the impedance range of the Variomatch by changing the Variomatch tap settings. For information on checking the Variomatch impedance range and changing the tap settings, see the Variomatch manual. Impedance plots for Variomatch tap settings are available through the Dressler website:

<http://www.dressler.com>.

For any additional information or questions, contact Customer Support.

Improper RF Connection or Cabling

Proper operation requires low impedance RF connections between the generator, match network, and load. In most situations, coaxial cable of an appropriate diameter is sufficient for the RF connections. Additionally, make the following checks:

- Verify that there contacts are not loose or corroded.
- If you are working with an installations that requires low impedances and higher currents, try metal strap or stripline connections.
- Consider the surface area and surface structure of conducting elements (cables, vacuum feedthroughs, and electrodes) to ensure that all elements are appropriate for the low penetration depth of RF currents.
- Minimize the cable length between the match and load to minimize power losses. With some applications, you may also need to optimize the cable length between the generator and the match to achieve a stable plasma that doesn't flicker or flash. For more information on optimizing cable length, see the matching network manual.

For questions about proper cable selection, contact Customer Support for the Dressler cable selection guide.

Improper Grounding

Proper operation requires that you use a central, common ground for the generator, matching network, and load. Ensure that you have appropriate grounding for all elements of the system. For more information, see ["Grounding" on page 5-4](#) and the installation section of the matching network manual.

Improper Interface Connection

Dressler CESAR generators and Variomatch matching networks are equipped with compatible **Matching Network** connectors. You can use this connection to control the Variomatch unit through the CESAR generator front panel. To troubleshoot this connection:

- Verify that you are using the correct cable (see ["Matching Interface" on page 4-9](#) for connector pin descriptions or contact Customer Support).
- Check whether you can send basic commands to the Variomatch unit from the CESAR unit (see ["Controlling the Matchbox" on page 5-20](#)) such as switching between automatic and manual tuning modes or moving the capacitors in manual mode.
- Refer to the Variomatch manual for additional troubleshooting suggestions.

If none of these procedures resolves the problem, contact Customer Support.

Improper Tuning Adjustment

Dressler ships Variomatch units with standard tuning settings, which are appropriate for most applications. In rare cases, the tuning parameters may need to be adjusted for special applications. For information on adjusting these tuning parameters, contact Customer Support.

Checking for and Resolving Errors and Warnings

The CESAR generator responds to many error and warning conditions. Errors and warnings display on the front panel (errors appear in **EXX** form and warnings in **WXX** form, followed by the message text). Errors are also reported through command 223 on the **Host** port. (See [Table 4-16 on page 4-64.](#))

Note: This revision of the manual provides information associated with software release 1.16. This version of the software included changes to the error and warning messages. Please use an appropriate revision of this manual for earlier versions of the software. If you do not have the appropriate manual, contact Customer Support (see [“Customer Support” on page 6-14.](#)) The unit reports the software revision level with host port command **198** (see [Table 4-16 on page 4-64.](#))

Error conditions always turn output off. If multiple error conditions exist, the unit displays all errors. When operating in front panel control mode, you need to reset the unit after the condition that caused the error has been resolved. Once the condition is resolved, the front panel displays a **Quit** soft key, which you press to reset the unit. The **Quit** soft key will not display until the error condition is resolved. (In remote control mode, the unit automatically resets after the condition that caused the error is resolved.)

Warning conditions do not shut output power off, and the warning message is cleared when the condition that caused the warning condition is gone. The front panel only displays one warning message at a time. Overload warnings indicate that an operating limit has been exceeded, and the unit has reduced output power to remain within the allowable range. *When an overload warning is active, the unit is not meeting set point.* On the front panel, overload messages end with an exclamation point.

The following sections describe error and warning messages, describe their causes, and explain how to resolve them.

Error Descriptions and Resolutions.

Table 6-1 lists the error messages that may occur on the CESAR generator, describes each error message, and explains how to resolve the error. If the information in this table does not resolve the problem, contact Customer Support (see “Customer Support” on page 6-14).

Table 6-1. Error description and resolution

Error Message	Description and Resolution
<p>E01 Interlock Loop Open</p>	<p>Open interlock loop.</p> <p>Causes: Switch opened, interlock loop not connected.</p> <p>Solution: Close interlock loop by making the proper connections to satisfy the interlock.</p> <ul style="list-style-type: none"> • If you have a 25-pin User Port, see pins 10 and 23 in Table 4-2 on page 4-14. • If you have a 15-pin User Port and 9-pin Interlock connector, ensure external contact closure between pins 1 and 2 of the Interlock connector (see Table 4-3 on page 4-31). <p><i>Note:</i> To determine which communication interfaces you have, see “Understanding Model 136 Options” on page 1-2</p>
<p>E10 SMPS Temperature Too High</p>	<p>Switch mode power supply temperature is too high.</p> <p>Cause: Ambient temperature too high / air flow too low.</p> <p>Solution: Let generator cool down, improve cooling</p> <p>Ensure proper airflow:</p> <ol style="list-style-type: none"> 1. Check to see that the air flow is unobstructed and below the specified input temperature (see “Cooling specifications” on page 3-6). 2. Listen to ensure that the fan is operating properly.

Table 6-1. Error description and resolution (Continued)

Error Message	Description and Resolution
<p>E11 RF Generator Temperature Too High</p>	<p>RF power section (chill plate) temperature too high. Cause: Ambient temperature too high / air flow too low Solution: Let generator cool down, improve cooling.</p> <p>Ensure proper airflow:</p> <ol style="list-style-type: none"> 1. Check to see that the air flow is unobstructed and below the specified input temperature (see “Cooling specifications” on page 3-6). 2. Listen to ensure that the fan is operating properly.
<p>E80 RF Power Section Failure</p>	<p>Hardware fault of RF power section. Contact Customer Support (see “Customer Support” on page 6-14).</p>
<p>E90 A/D-Conversion Failure</p>	<p>Software/controller fault: A/D-conversion synchronization loss.</p> <p>Causes:</p> <ul style="list-style-type: none"> • EMC-problem • Software fault • AMR module defective. <p>Solution: Switch generator off and on again, ensure installation and operating environment comply with EMC requirements (see “Product Compliance” on page 1-5 and “Installing the CESAR Generator” on page 5-3).</p> <p>If problem persists contact Customer Support (see “Customer Support” on page 6-14).</p>
<p>E91 DDS VCO Communication Failure</p>	<p>Software/controller fault: Internal communication fault. Cause: Controller cannot communicate with DDS.</p> <p>Solution: Switch generator off and on again, ensure installation and operating environment comply with EMC requirements (see “Product Compliance” on page 1-5 and “Installing the CESAR Generator” on page 5-3).</p> <p>If this error persists, contact Customer Support (see “Customer Support” on page 6-14).</p>

Table 6-1. Error description and resolution (Continued)

Error Message	Description and Resolution
E97 Invalid EEPROM Contents	Controller fault: Parameter data is corrupt. Cause: Checksum error or invalid data Solution: Switch generator off and on again. If this error persists, contact Customer Support (see “Customer Support” on page 6-14).
E98 Invalid Calibration Data	Controller fault: Calibration data is corrupt. Cause: Checksum error or invalid data Solution: Switch generator off and on again. If this error persists, contact Customer Support (see “Customer Support” on page 6-14).

Warning Descriptions and Resolutions

Warning conditions do not shut output power off, and the warning message is cleared when the condition that caused the warning condition is gone. The front panel only displays one warning message at a time. Overload warnings indicate that an operating limit has been exceeded, and the unit has reduced output power to remain within the allowable range. *When an overload warning is active, the unit is not meeting set point.* On the front panel, overload messages end with an exclamation point.

Table 6-2 lists the warning messages that may occur on the CESAR generator, describes each warning message, and explains how to resolve the associated problem.

Table 6-2. Warning description and resolution

Warning Message	Description and Resolution
<p>W10 DC power at limit!</p>	<p>The voltage or the current has exceeded the limit of the internal SMPS. The unit has reduced output to remain within the limits. <i>Output is not at set point.</i></p> <p>Cause: VSWR is too high.</p> <p>Solution: Reduce VSWR.</p>
<p>W11 Pforw. maximum reached!</p>	<p>This warning occurs in load power regulation mode when the forward power required to reach the load power set point exceeds the maximum forward power. The unit has reduced forward power output to remain within the limits. <i>Output is not at set point.</i></p> <p>Cause: VSWR is too high.</p> <p>Solution: Reduce VSWR.</p>
<p>W12 Prefl. at limit!</p>	<p>The reflected power has exceeded the maximum level. The unit has reduced forward power output to remain within the limits. <i>Output is not at set point.</i></p> <p>Cause: VSWR is too high.</p> <p>Solution: Reduce VSWR.</p>
<p>W13 Pforw. at limit!</p>	<p>This warning occurs in external (DC bias) regulation mode when the forward power required to reach the DC bias set point is higher than the user-set limit. The unit has reduced forward power to remain within the limits. <i>Output is not at set point.</i></p> <p>Cause: The plasma did not ignite.</p> <p>Solutions:</p> <ul style="list-style-type: none"> • Increase the forward power limit. You can set this limit through the Host port command 4 (see Table 4-16 on page 4-64) or through the front panel (see “Setting External Power Regulation Mode (DC Bias)” on page 5-18). • Change plasma conditions.

Table 6-2. Warning description and resolution (Continued)

Warning Message	Description and Resolution
<p>W30 RF will switch OFF in X s</p>	<p>The CESAR generator allows you to interrupt power if the reflected power exceeds a specified threshold for a specified period of time. This message occurs when the actual reflected power is above the threshold for power interruption. RF will switch off after the specified period of time. To avoid this situation, check your load or change the reflected power settings (see “Changing Reflected Power Settings” on page 5-48).</p>
<p>W40 Ext. pulse at limit!</p>	<p>The external pulse frequency has exceeded the maximum. The generator has turned off to protect itself from damage.</p> <p>Causes: Either the pulse repetition frequency is too high or the duty cycle is too low for the actual pulse repetition frequency.</p> <p>Solution: Change the external pulse frequency to be within limits. See “Electrical Specifications” on page 3-4 for pulse frequency limits. You can change the pulse frequency the Host port command 93 (see Table 4-16 on page 4-64) or through the front panel (see “Setting the Pulse Function” on page 5-33).</p>
<p>W41 Frequency at limit!</p>	<p>In frequency shift tuning (FST), the output frequency has reached its upper or lower limit. <i>Therefore, the phase controller is not working at set point.</i></p> <p>Cause: VSWR is too high.</p> <p>Solution: Reduce VSWR.</p>
<p>W50 Target lifetime has expired</p>	<p>The target lifetime counter has reached the user-set target life limit. This warning does not affect the operation of the unit.</p> <p>Solution: Change target or reset target lifetime counter. You can make these settings through the Host port commands 11 and 12 (see Table 4-16 on page 4-64) or through the front panel (see “Setting Target Lifetime PARAMETERS” on page 5-38).</p>

WORLD WIDE WEB SITE

For additional product information and troubleshooting procedures, consult Dressler® HF-Technik GmbH's World Wide Web site:

- <http://www.dressler.com>

You may also visit our parent company's World Wide Web site:

- <http://www.advanced-energy.com>

CUSTOMER SUPPORT

Please contact one of the following offices if you have questions.

Note: When calling Customer Support, make sure to have the unit serial number and part number. These numbers are available on unit labels.

Table 6-3. Customer Service contact information

Office	Contact
<p>Europe</p> <p>Dressler HF-Technik GmbH Muensterau 168 D-52224 Stolberg-Vicht</p> <p>Advanced Energy GmbH Raiffeisenstrasse 32 D-70794 Filderstadt (Bonlanden)</p> <p><i>Note:</i> For returns and repairs, call Customer Support prior to shipping.</p>	<p>Phone: +49.2402.9881.0 Fax: +49.2402.988.11</p> <p>Email: technical.support@dressler.com</p> <p>Phone: +49.711.779270 Fax: +49.711.7778700</p> <p>Email: support_de@aei.com</p> <p><i>Note:</i> Response to emails by end of next business day.</p>
<p>USA</p> <p>Dressler USA, Inc. 6389 San Ignacio Avenue San Jose, CA 95119</p> <p>AE, World Headquarters 1625 Sharp Point Drive Fort Collins, CO 80525 USA</p>	<p>Phone: +1.408.284.0298 Fax: +1-408.574.2521</p> <p>Email: jerry.price@dressler.com</p> <p>Phone (24 hrs/day, 7 days/week): 800.446.9167 or 970.221.0108</p> <p>Fax (M–F, 7:00 am – 5:30 pm MST): 970.407.5981</p> <p>E-mail: technical.support@aei.com</p> <p>Web site: www.advanced-energy.com</p>

Table 6-3. Customer Service contact information (Continued)

Office	Contact
<p>AE, World Headquarters</p> <p>1625 Sharp Point Drive Fort Collins, CO 80525 USA</p> <p><i>Note:</i> For returns and repairs, please call Worldwide Customer Service to get the correct shipping address.</p>	<p>Phone (24 hrs/day, 7 days/week): 800.446.9167 or 970.221.0108</p> <p>Fax (M–F, 7:00 am – 5:30 pm MST): 970.407.5981</p> <p>E-mail: technical.support@aei.com (We will respond to email by the next business day.)</p> <p><i>Note:</i> For customers outside the US, please contact your local AE office.</p>
<p>UK</p> <p>Advanced Energy UK Ltd. Unit 5, Minton Place Victoria Road Bicester Oxon OX26 6QB</p>	<p>Phone: +44.1869.320022 Fax +44.1869.325004</p> <p>Email: aeuk_sales.info@aei.com</p>
<p>Japan</p> <p>Astech Corporation No.39-7 Takadanobaba 4-Chome Shinjuku-Ku 169-0075 Tokyo</p>	<p>Phone: +81.3.3367.8921 Fax: +81.3.3367.8996</p> <p>Email: semicon@astechcorp.co.jp</p>
<p>South Korea</p> <p>Advanced Energy Korea #701 Sicox Tower 513-4, Sangdaewon-dong, Chungwon-gu Sunghnam-si, Kyunggi-do Korea, 462-120</p>	<p>Phone: +82.31.777.9191 Fax: +82.31.777.9195</p> <p>Email: AEK_sales.info@aei.com</p>
<p>Taiwan</p> <p>Advanced Energy Taiwan 10F, No. 110, Chung Shan Rd., Sec. 3 235 Chungho City, Taipei Hsien Taiwan, R.O.C.</p>	<p>Phone: +886.2.82215599 Fax: +886.2.8221.5050</p> <p>Email: AET_sales.info@aei.com</p>
<p>Singapore</p> <p>APP Systems Service, Pte. Ltd. 11Toh Guan Road East #03-01 APP Enterprise Building 608603 Singapore</p>	<p>Phone: +65.6425.6611 Fax: +65.6560.6616</p> <p>Email: technicalsupport@appsystems.com.sg</p>

RETURNING UNITS FOR REPAIR

Before returning any product for repair and/or adjustment, ***first follow all troubleshooting procedures***. If the error or problem persists after following these procedures, please call your Customer Support office. Be prepared to give the model number and serial number of the unit, as well as the reason for the proposed return. This consultation call allows Customer Support to determine whether the problem can be corrected in the field or if the unit needs to be returned. Such technical consultation is always free of charge.

If you return a unit without first getting authorization from Customer Support and that unit is found to be functional, you will be charged a re-test and calibration fee plus shipping charges.

To ensure years of dependable service, Dressler® HF-Technik GmbH products are thoroughly tested and designed to be among the most reliable and highest quality systems available worldwide.

WARRANTY

Dressler® HF-Technik GmbH products are warranted to be free from failures due to defects in material and workmanship for 12 months (24 months in Europe) after they are shipped from the factory (please see warranty statement below, for details).

In order to claim shipping or handling damage, you must inspect the delivered goods and report such damage to Dressler® HF-Technik GmbH within 30 days of your receipt of the goods. Please note that failing to report any damage within this period is the same as acknowledging that the goods were received undamaged.

For a warranty claim to be valid, it must:

- Be made within the applicable warranty period
- Include the product serial number and a full description of the circumstances giving rise to the claim
- Have been assigned a return material authorization number (see below) by Customer Support

All warranty work will be performed at an authorized service center (see list of contacts at the beginning of this chapter). You are responsible for obtaining authorization (see details below) to return any defective units, prepaying the freight costs, and ensuring that the units are returned to an authorized service center. Dressler® HF-Technik GmbH will return the repaired unit (freight prepaid) to you by second-day air shipment (or ground carrier for local

returns); repair parts and labor will be provided free of charge. Whoever ships the unit (either you or Dressler® HF-Technik GmbH) is responsible for properly packaging and adequately insuring the unit.

Authorized Returns

Before returning any product for repair and/or adjustment, call Customer Support and discuss the problem with them. Be prepared to give them the model number and serial number of the unit as well as the reason for the proposed return. This consultation call will allow Customer Support to determine if the unit must actually be returned for the problem to be corrected. Such technical consultation is always available at no charge.

Units that are returned without authorization from Customer Support and that are found to be functional will not be covered under the warranty (see warranty statement, below). That is, you will have to pay a retest and calibration fee, and all shipping charges.

Warranty Statement

The seller makes no express or implied warranty that the goods are merchantable or fit for any particular purpose except as specifically stated in printed specifications. The sole responsibility of the Seller shall be that it will manufacture the goods in accordance with its published specifications and that the goods will be free from defects in material and workmanship. The seller's liability for breach of an expressed warranty shall exist only if the goods are installed, started in operation, and tested in conformity with the seller's published instructions. The seller expressly excludes any warranty whatsoever concerning goods that have been subject to misuse, negligence, or accident, or that have been altered or repaired by anyone other than the seller or the seller's duly authorized agent. This warranty is expressly made in lieu of any and all other warranties, express or implied, unless otherwise agreed to in writing. The warranty period is 12 months (24 months in Europe) after the date the goods are shipped from Dressler® HF-Technik GmbH. In all cases, the seller has sole responsibility for determining the cause and nature of the failure, and the seller's determination with regard thereto shall be final. The Warranty Statement may be superseded by a service agreement entered into between Dressler® HF-Technik GmbH and the buyer.

Index

Numerics

25-pin User Port control 4-13

A

AC input power, *see* input power

ACK, *see* acknowledgement

acknowledgement 4-50

addressing, IP configuration 5-9

AE Bus

error codes 6-7

protocol 4-46

troubleshooting with 6-7

AE Bus interface

through Ethernet interface 4-59

analog I/O, *see* User port

authorized returns 6-17

B

baud rates

PROFIBUS 4-53

byte and word order (Ethernet) 4-59

C

cables

specifications 3-3

User port (15-pin) requirements 4-32

User port (25-pin) requirements 4-12

CE marking 1-5

certification

CE 1-5

EMC 1-5

CEX

specifications 3-4

checksum 4-48

clearance

specifications 3-3

climatic specifications 3-6

command 4-47

command status response (CSR) codes

AE Bus 4-63

commands

Ethernet 4-58

PROFIBUS 4-55

commands (AE Bus) 4-62

command status response (CSR) codes
4-63

creating recipes 4-70, 4-71, 4-74

initializing tuning capacitors 4-76

moving tuning capacitors 4-76, 4-77

pulsing 4-72, 4-75, 4-76

reading active target 4-79

reporting baud rates 4-87

reporting capacitor positions 4-84

reporting control method 4-79

reporting DC bias 4-83

reporting external feedback 4-83

reporting forward power 4-83

reporting forward power limit 4-84

reporting frequency tuning parameters
4-85

reporting generator type 4-77

reporting generator's output capacity 4-77

reporting process status 4-81

reporting pulsing mode 4-84

reporting pulsing parameters 4-86

reporting recipe parameters 4-78, 4-85

reporting reflected power 4-83

reporting reflected power parameters 4-79

reporting regulation mode 4-79

reporting RF frequency 4-84

reporting set point 4-83

reporting software version 4-78, 4-86

reporting target life 4-80

reporting tuner motor movement 4-78

reporting tuning mode 4-82

reporting unit serial number 4-87

reporting User port voltage 4-80

restoring operating presets 4-72

retrieving error codes 4-87

saving operating presets 4-72

selecting active target 4-66

setting active control mode 4-68

setting baud rates 4-75

setting maximum external feedback 4-66

setting partial remote control 4-73

setting reflected power 4-74

setting RF frequency 4-70

setting target life 4-66

setting tuning mode 4-67

- setting tuning parameters 4-69
- turning off RF output 4-64
- communication 2-1
 - Ethernet 4-57
- communication interfaces 4-1
- communications
 - ACK 4-50
 - acknowledgement 4-50
 - AE Bus protocol 4-46
 - checksum 4-48
 - command 4-47
 - data (data bytes) 4-48
 - exclusive-or 4-50
 - header 4-47
 - Host port (RS-232) 4-45
 - Host port (RS-232) transaction illustration 4-51
 - ideal transaction 4-49
 - ideal transaction illustration 4-49
 - NAK 4-50
 - negative acknowledgement 4-50
 - optional length byte 4-48
 - PROFIBUS protocol 4-52
 - transaction example 4-51
 - XOR 4-50
- conditions of use 1-6
- configuration
 - IP addressing 5-9
- connecting
 - cables 3-3
 - input power 5-8
 - output power 5-4
- connectors
 - Host port (PROFIBUS) 4-51
 - Host port (RS-232) 4-45
 - input power specifications
 - interlock interface 4-31
 - output connector specifications 3-3
 - specifications 3-3
 - User port (15-pin) 4-29
 - User port (25-pin) 4-12
- cooling specifications 3-6
- creating recipes 4-71, 4-72
- current
 - input line specifications 3-4
- customer service, *see* customer support
- customer support 6-14
 - before contacting 6-1

D

- data (data bytes) 4-48

- data consistency, PROFIBUS 4-54
- delivered power
 - specifications 3-5
- description, general 2-1
- diagnostic interface 4-9
- digital port, *see* Host port
- dimensions 3-2, 3-3
- directives
 - 73/23/EEC 1-6
 - 89/336/EEC 1-5
- display, *see* panel display
- download packet, PROFIBUS 4-55
- drawings, *see* illustrations

E

- efficiency (line to load)
 - specifications 3-5
- electrical characteristics
 - User port (25-pin) 4-21
- electrical specifications 3-4
- electromagnetic compatibility (EMC)
 - directives and standards 1-5
- electromagnetic compatibility
 - certification 1-5
- EMC, *see* electromagnetic compatibility
- environmental specifications 3-6
- errors
 - see also* troubleshooting
 - identifying 6-7
 - PROFIBUS 4-54
 - resolving 6-8, 6-11
 - RF will switch OFF 6-12
 - troubleshooting 6-7
- Ethernet communication
 - AE Bus communication with FC23 4-59
 - byte and word ordering 4-59
 - data encoding 4-59
 - described 4-57
 - FC23 4-59
 - installing 5-9
 - packet formats 4-59
 - registers and commands 4-58
 - setting IP configuration 5-9
- Ethernet, *see* Host control (Ethernet)
- exclusive-or 4-50

F

- faults
 - see also* errors
- FC23
 - exception error packet 4-62

- response packet 4-61
- send packet 4-59
- first time operation 5-10
- frequency
 - output specifications 3-5

G

- general description 2-1
- grounding 5-4
- GSD files, PROFIBUS 4-52

H

- harmonics 3-5
- header 4-47
- Host control (Ethernet) 4-57
- Host port 4-43
 - connecting 5-5
 - specifications 3-4
- Host port (Ethernet)
 - activating 4-63
- Host port (PROFIBUS) 4-51
 - see also* commands (PROFIBUS)
 - baud rate 4-53
 - commands 4-55
 - connector 4-51
 - data consistency 4-54
 - errors 4-54
 - illustration 4-51
 - pin descriptions 4-52
 - protocol 4-52
 - reset command 4-54
 - setting network address 4-53
 - termination 4-53
 - type (GSD) files 4-52
- host port (PROFIBUS)
 - status LEDs 4-53
- Host port (RS-232) 4-44
 - see also* commands (AE Bus)
 - see also* communications
 - activating 4-63
 - AE Bus protocol 4-46
 - commands 4-62
 - communicating through 4-45
 - communications checksum 4-48
 - communications command 4-47
 - communications data (data bytes) 4-48
 - communications header 4-47
 - communications optional length byte 4-48
 - communications transaction 4-49
 - communications transaction example 4-51
 - communications transaction illustration

- 4-49, 4-51
- connector 4-45
- illustration 4-45
- pin descriptions 4-45

I

- icons
 - in user manual 1-3
 - on unit 1-4
- illustrations 4-23
 - Host port (RS-232) 4-45
 - Host port (RS-232) communications transaction 4-49
 - Host port (RS-232) connector 4-45
 - Host port (RS-232) transaction example 4-51
- input connector 5-8
- interlock connector 4-31
- message packet 4-47
- output connector 5-4
- rear view 4-2
- theory of operation 2-2
- unit dimensions 3-2
- User port (15-pin) 4-29
- User port (25-pin) 4-12
- impedance
 - load specifications 3-5
- input
 - specifications 3-4
- input connector 5-8
 - pin description 5-8
- input line current
 - specifications 3-4
- input line voltage
 - specifications 3-4
- input power
 - connecting 5-8
 - specifications 3-4
- input power factor
 - specifications 3-4
- installation
 - safety warning 1-6, 5-2
- installing
 - communication interfaces 5-5
 - Ethernet communication 5-9
 - Modbus/TCP communication 5-9
 - network communication 5-9
- interfaces
 - see also* diagnostic interface, Host port, interlock interface, matching interface, *or* User port

- connecting 5-5
- interlock 1-7
 - see *also* limits
 - integrating system loop 4-30
 - satisfying 4-12, 4-30
- interlock connector
 - illustration 4-31
- interlock interface 4-30
 - pin descriptions 4-31
- IP configuration 5-9

L

- LEDs
 - PROFIBUS 4-53
- limits 1-7
 - overcurrent 1-9
 - overtemperature 1-8
 - RF power 1-8
- load impedance 3-5

M

- marking, CE 1-5
- Matching 4-9
- matching interface
 - pin descriptions 4-9
- message packet 4-46
 - illustration 4-47
- Modbus/TCP communication
 - connecting 5-9
 - setting IP configuration 5-9
 - unit Web pages 5-49
- Modbus/TCP, see Host control (Ethernet)
- model options 1-2
- modes see operating modes
- mounting 5-3
 - specifications 3-3

N

- NAK, see negative acknowledgement
- negative acknowledgement 4-50
- network communication see Modbus/TCP
- network, setting IP configuration 5-9
- normal operation 5-15, 5-24

O

- operation
 - first time 5-10
 - minimal User port (25-pin) requirements
 - 4-12
 - normal 5-15, 5-24

- theory 2-2
- operation modes
 - setting with the User port (15-pin) 4-36
- optional length byte 4-48
- output
 - enabling through User port (25-pin) 4-12
 - maximum specifications 3-5
 - minimum specifications 3-5
 - specifications 3-5
- output connector
 - pin descriptions 5-4
 - specifications 3-3
- output frequency
 - specifications 3-5
- output power
 - connecting 5-4
- overcurrent
 - specifications 3-5
- overcurrent limit 1-9
- overtemperature limit 1-8
- overvoltage category
 - specifications 3-7

P

- packet format
 - Modbus/TCP 4-59
- panel display
 - specifications 3-4
- part numbers 1-2
- P_{forward} regulation, see forward power
- regulation
- photos, see illustrations
- physical specifications 3-1
- pin descriptions
 - Host port (PROFIBUS) 4-52
 - Host port (RS-232) 4-45
 - input connector 5-8
 - interlock interface 4-31
 - matching interface 4-9
 - output connector 5-4
 - User port (15-pin) 4-32
 - User port (25-pin) 4-14
- PLC, see programmable logic controllers
- pollution degree
 - specifications 3-7
- ports, see diagnostic interface, Host port, interlock interface, matching interface, or User port
- power
 - delivered 3-5
 - input specifications 3-4

- input, *see* input connector
 - output, *see* output connector
 - P_{real} regulation, *see* load power regulation
 - PROFIBUS
 - connecting 5-5
 - download packet 4-55
 - troubleshooting with 6-7
 - upload packet 4-56
 - upload status bytes 4-57
 - PROFIBUS port, *see* Host port (PROFIBUS)
 - programmable logic controllers (PLCs) 4-52
 - programming
 - see* communication *and* commands
- R**
- reflected power setting
 - troubleshooting 6-12
 - registers
 - overview 4-58
 - repair 6-16
 - returning units for repair 6-16
 - report 4-79
 - reset command, PROFIBUS 4-54
 - returns
 - authorized 6-17
 - returning units for repair 6-16
 - warranty statement 6-17
 - RF output
 - frequency 3-5
 - maximum specifications 3-5
 - minimum specifications 3-5
 - specifications 3-5
 - RF output connector, *see* output connector
 - RF output power specifications
 - harmonics 3-5
 - load impedance 3-5
 - RF power limit 1-8
 - RF will switch OFF error 6-12
 - RS-232 port, *see* Host port (RS-232)
- S**
- safety
 - checks 6-1
 - conditions of use 1-6
 - directives 1-5
 - directives, *see also* directives
 - standards 1-5
 - standards, *see also* standards
 - schematics, *see* illustrations
 - selecting Ethernet host control 4-63
 - selecting RS-232 host control 4-63
 - selecting the User Port (25-pin) 4-13
 - selecting, *see* setting
 - serial port, *see* Host port
 - setting
 - PROFIBUS address 4-53
 - PROFIBUS baud rate 4-53
 - Siemens Energy & Automation 4-52
 - spacing requirements 5-1
 - specifications
 - cable 3-3
 - CEX 3-4
 - clearance 3-3
 - climatic 3-6
 - connectors 3-3
 - cooling 3-6
 - cooling medium 3-6
 - delivered power 3-5
 - dimensions 3-3
 - efficiency (line to load) 3-5
 - electrical 3-4
 - environmental 3-6
 - harmonics 3-5
 - Host port 3-4
 - input line current 3-4
 - input line voltage 3-4
 - input power 3-3, 3-4
 - input power factor 3-4
 - maximum RF output 3-5
 - minimum RF output 3-5
 - mounting 3-3
 - output connector 3-3
 - overcurrent 3-5
 - overvoltage category 3-7
 - panel display 3-4
 - physical 3-1
 - pollution degree 3-7
 - RF output 3-5
 - User port 3-3
 - weight 3-3
 - standards
 - 47 CFR Part 18 1-5
 - EN 55011 1-5
 - EN 61000-6-2 1-5
 - EN 61010-1 1-6
 - status LEDs
 - PROFIBUS 4-53
 - symbols
 - in user manual 1-3
 - on unit 1-4

T

- TCP, *see* Host control (Ethernet)
- termination procedure, PROFIBUS 4-53
- theory of operation 2-2
- troubleshooting
 - see also* errors
 - capacitor failure 6-4
 - communication problems 6-4
 - error conditions 6-7
 - incorrect input voltage 6-5
- troubleshooting information 6-2
- tuning
 - modes 2-1
- type files, PROFIBUS 4-52

U

- unit
 - setting IP configuration 5-9
- unit options 1-2
- unit Web pages 5-49
- unpacking 5-3
- upload packet, PROFIBUS 4-56
- upload status bytes, PROFIBUS 4-57
- user manual
 - symbols used 1-4
- User port
 - connecting 5-5
 - specifications 3-3
- User port (15-pin) 4-29
 - assessing maximum power 4-33
 - cable requirements 4-32
 - enabling RF power 4-35
 - illustration 4-29
 - monitoring errors 4-33
 - pin descriptions 4-32
 - pulsing 4-34
 - selecting forward power 4-35
 - setting a set point 4-35
 - setting operation modes 4-36
 - setting the operating mode 4-32
 - wiring diagrams 4-37
- User Port (25-pin)
 - activating 4-13
- User port (25-pin) 4-11
 - analog inputs 4-21
 - analog outputs 4-22
 - cable requirements 4-12
 - connector 4-12
 - digital inputs 4-22
 - digital outputs 4-22
 - electrical characteristics 4-21

- enabling RF power 4-16
- monitoring forward power 4-15
- monitoring load power 4-15
- monitoring overtemperature 4-20
- monitoring reflected power 4-14
- monitoring set point status 4-20
- pin descriptions 4-14
- satisfying circuits for operation 4-12
- setting a set point 4-17
- wiring diagrams 4-23

User port (25-pin) wiring diagrams 4-23

V

- views, *see* illustrations
- Virtual Front Panel
 - troubleshooting with 6-7
- voltage
 - input line specifications 3-4

W

- warranty
 - authorized returns 6-17
 - filing a claim 6-16
 - returning units 6-17
 - statement 6-17
- Web pages, for unit 5-49
- weight 3-3
- wiring diagrams, User port (15-pin) 4-37
- World Wide Web sites 6-12

X

- XOR, *see* exclusive-or